



ARCHITECTURE

with sauce 

Print out all parts and paint them in your favorite colors, before cutting them out.

Glue the page containing the building body onto a piece of thick paper.

Cut out all parts with scissors.

Use a ruler and a wooden stick to scratch the black dashed lines, this will make them fold easier.

Add all parts to the body step by step. The instructions on the next page will help you to do so. Afterwards, decorate your tower!



Reichstag Building

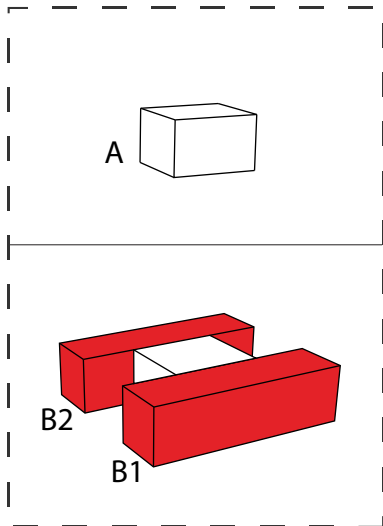
CRAFTING MODEL

JUNIOR VERSION

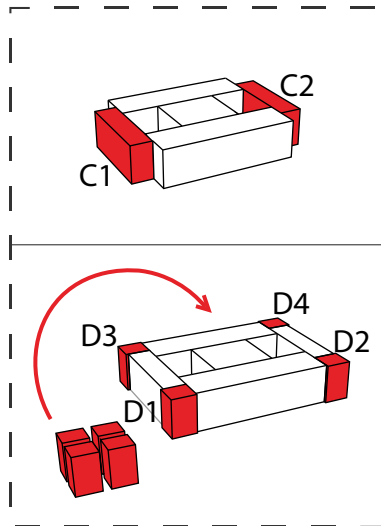
SIMPLIFIED

The creation of this crafting set
was made possible by:

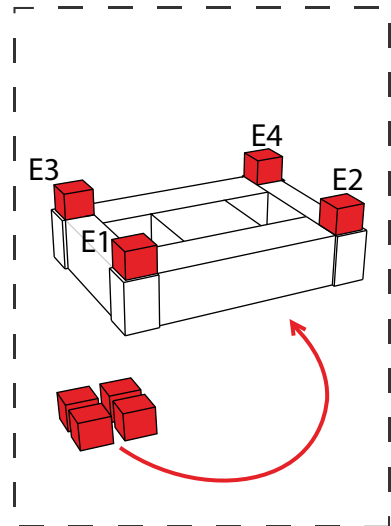




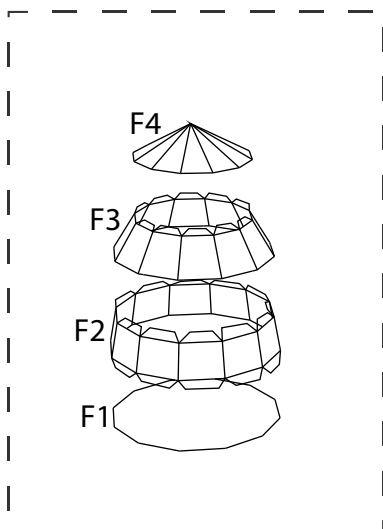
Start with the central part. Fold the front and back parts and stick them to the base.



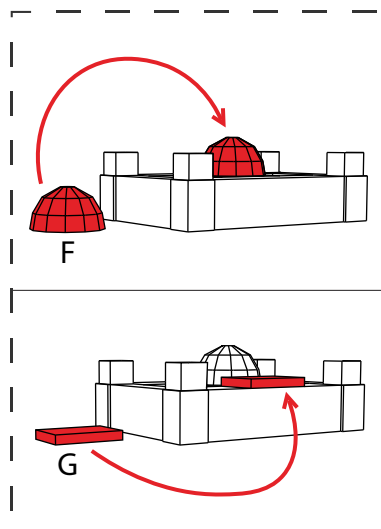
Fold and assemble the corner parts. Attach them to the four corners.



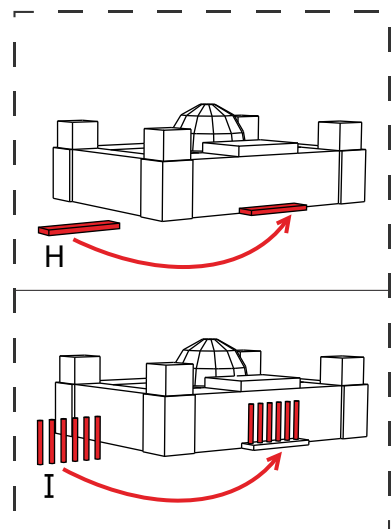
Complete the extensions and add them to the corners.



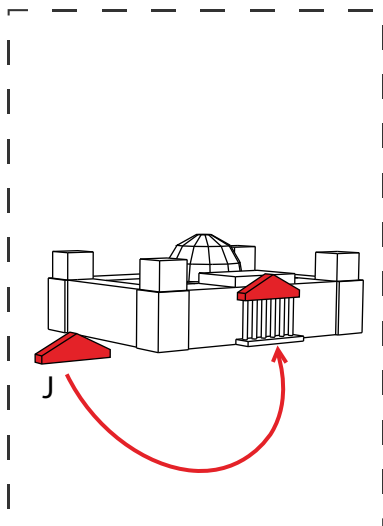
Create the dome by folding and assembling all four parts.



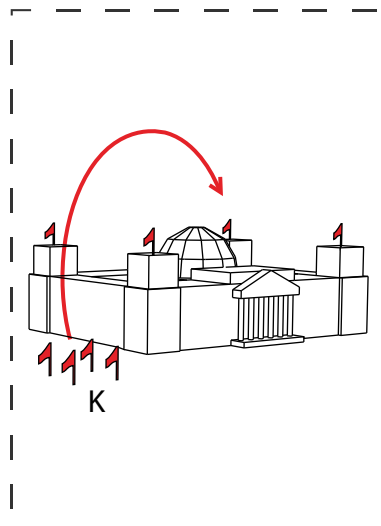
Attach the dome and layer to the roof of the body.



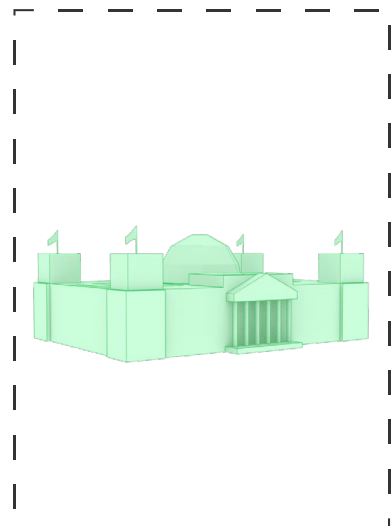
Add the steps and the columns.



Add the roof to the top of the columns.

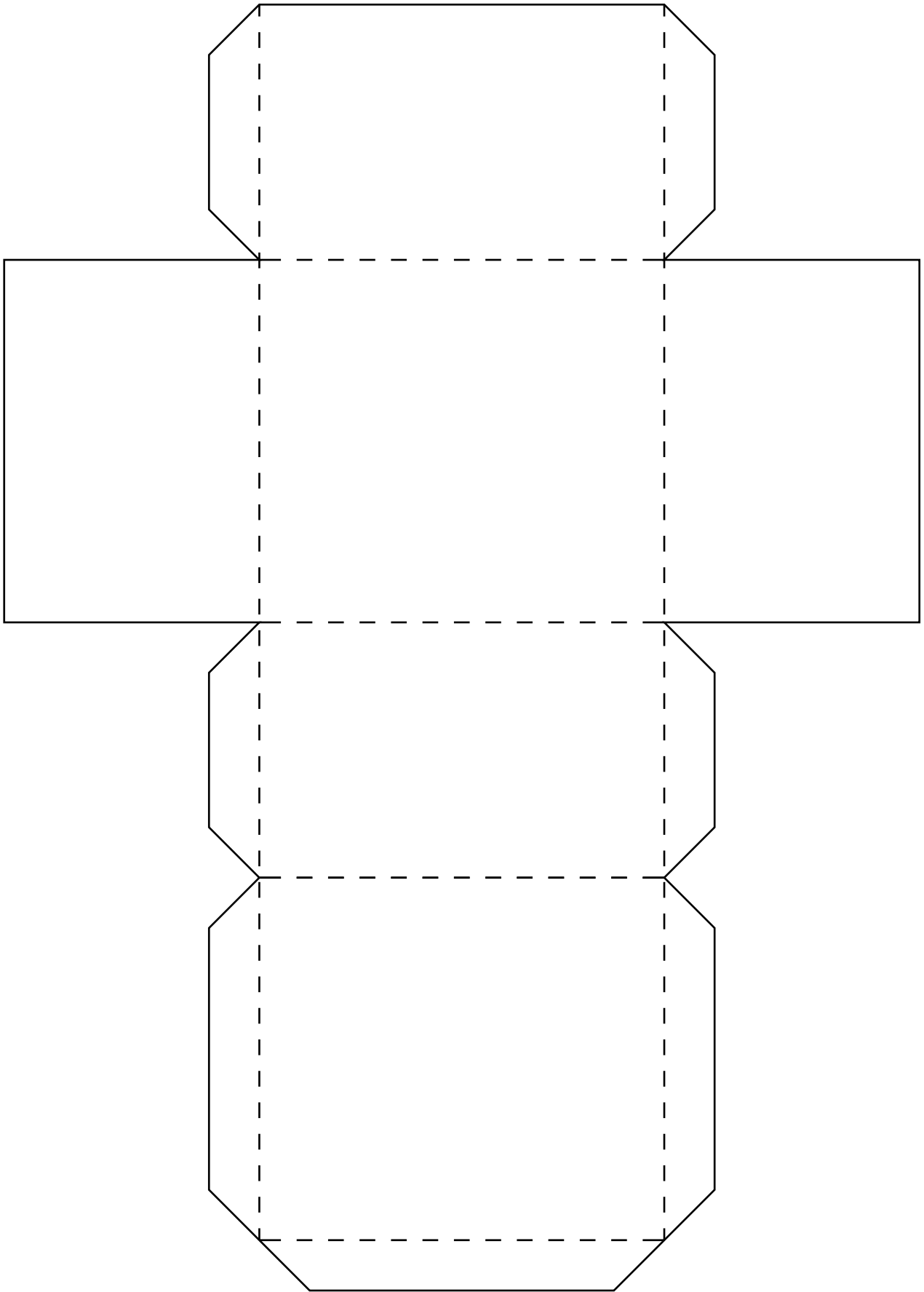


Finally, fold the flags and attach them to the corners.

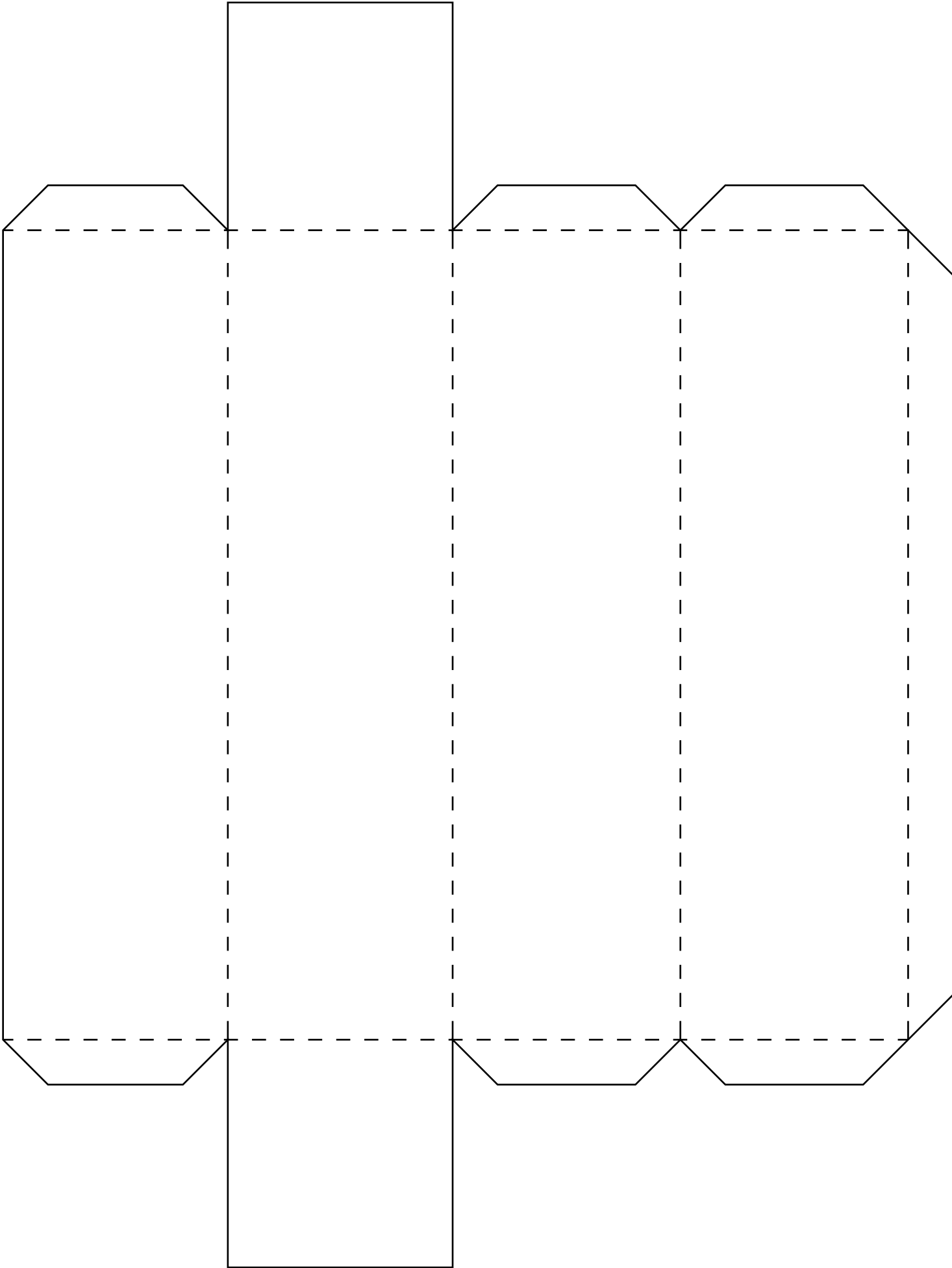


Congratulations, you did it! To share your artwork with others, please see the last page.

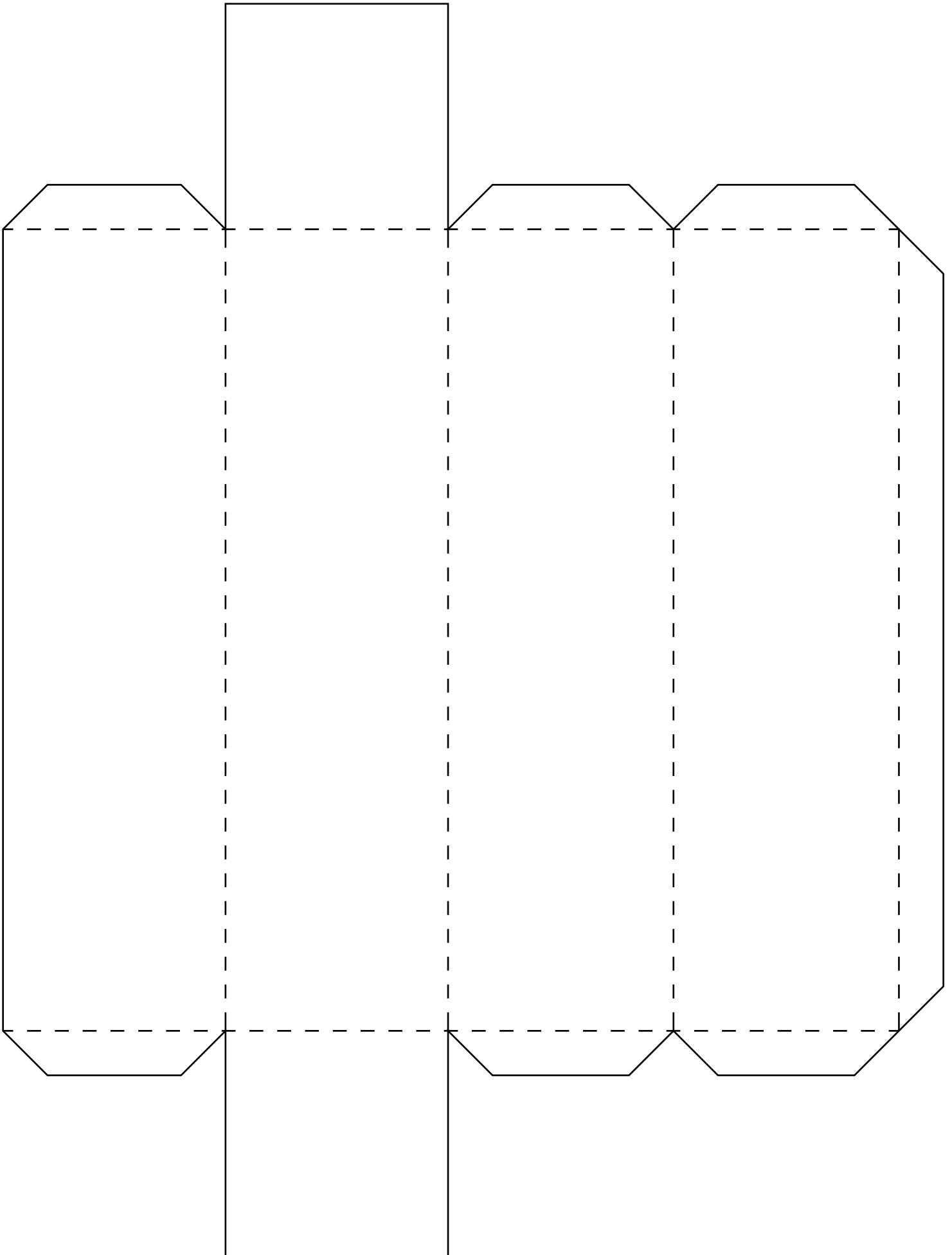
A (central part)



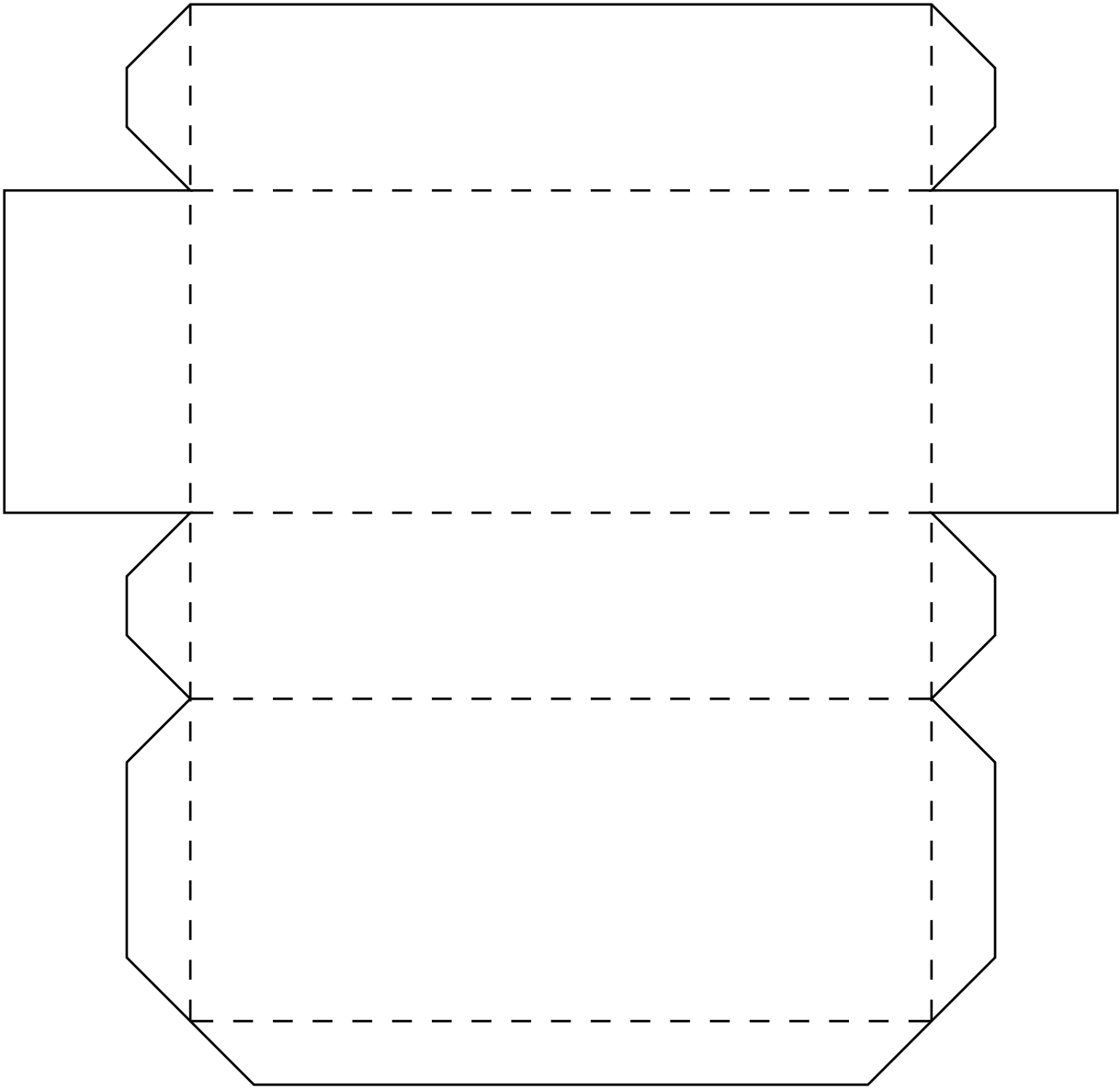
B1 (front part)



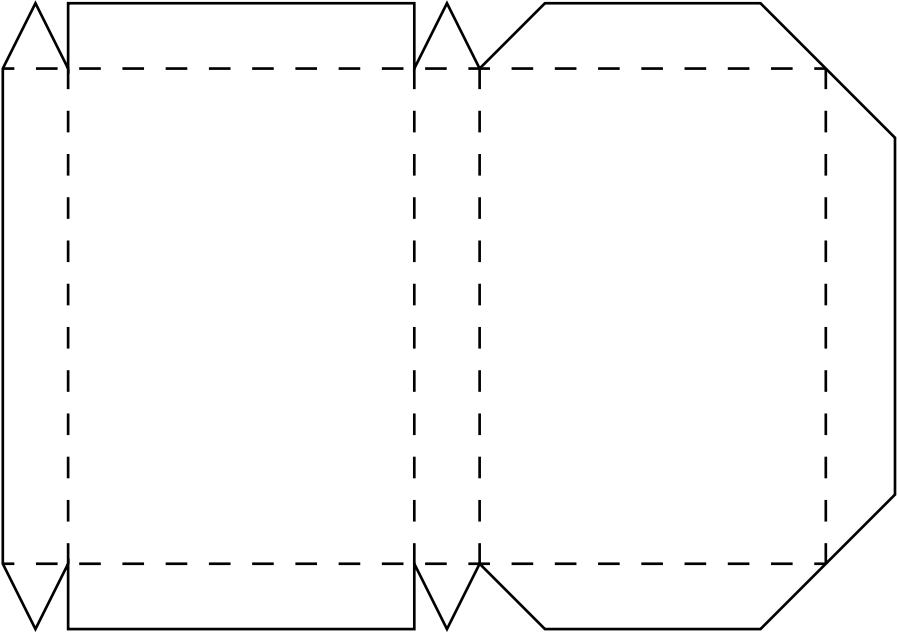
B2 (back part)



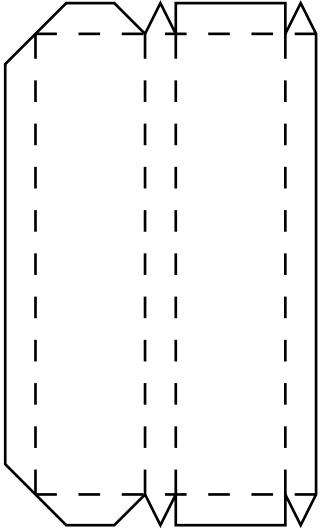
C1 (side part)



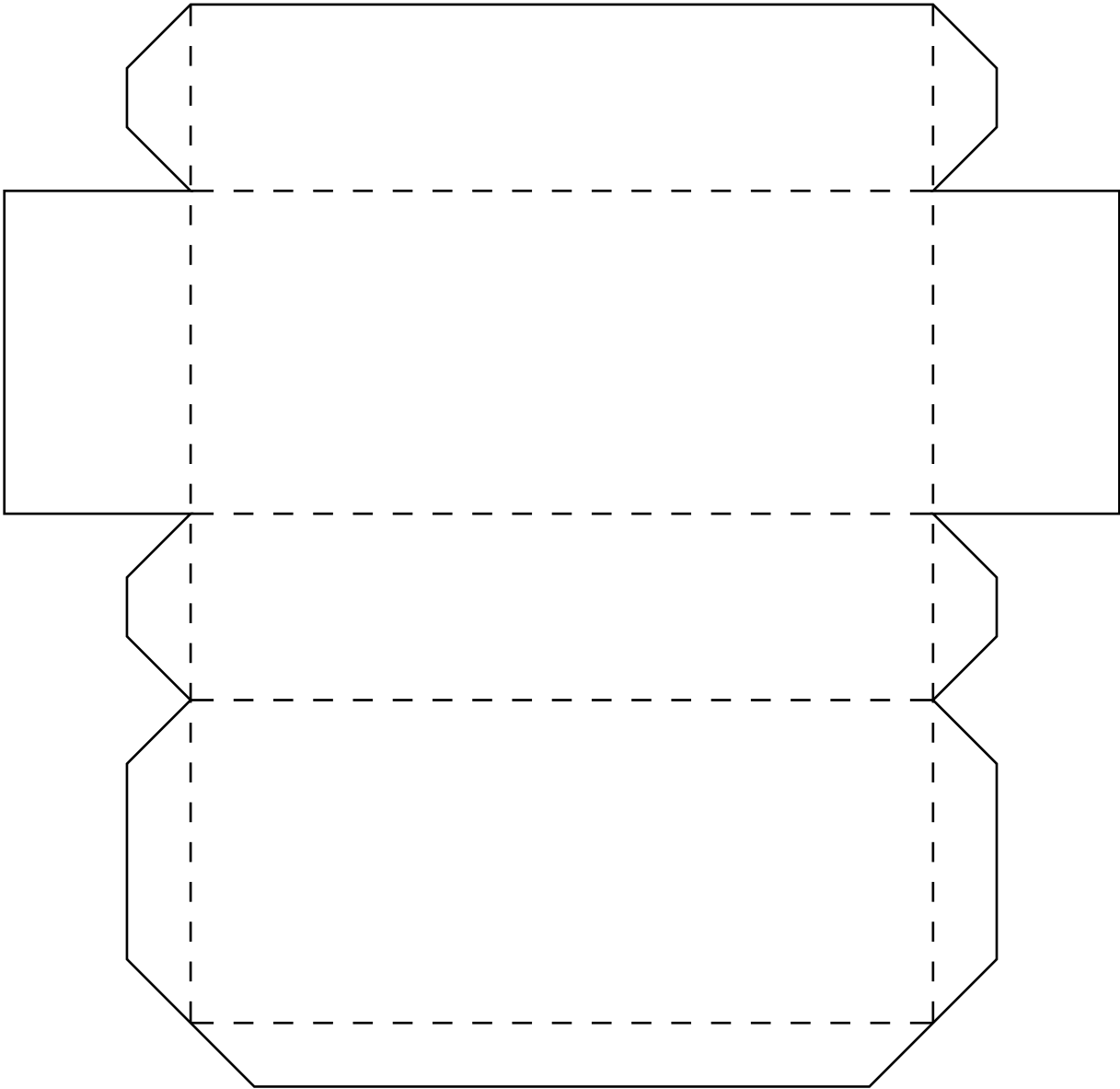
G (layer)



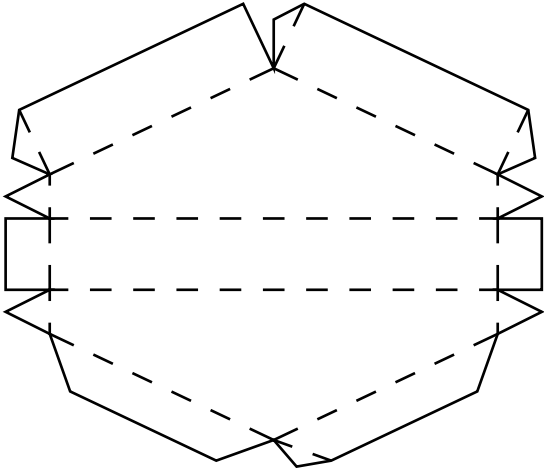
H (steps)



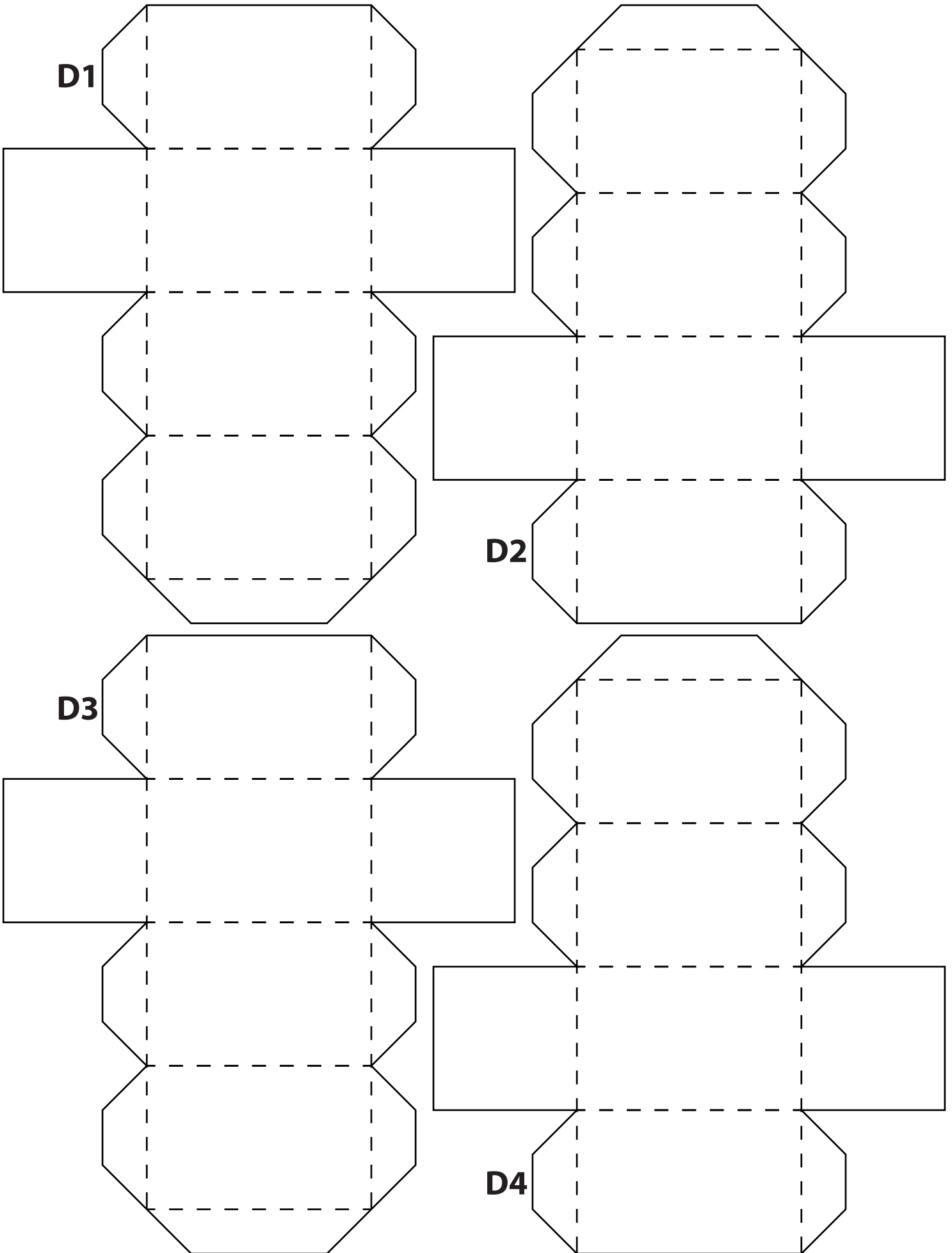
C2 (side part)



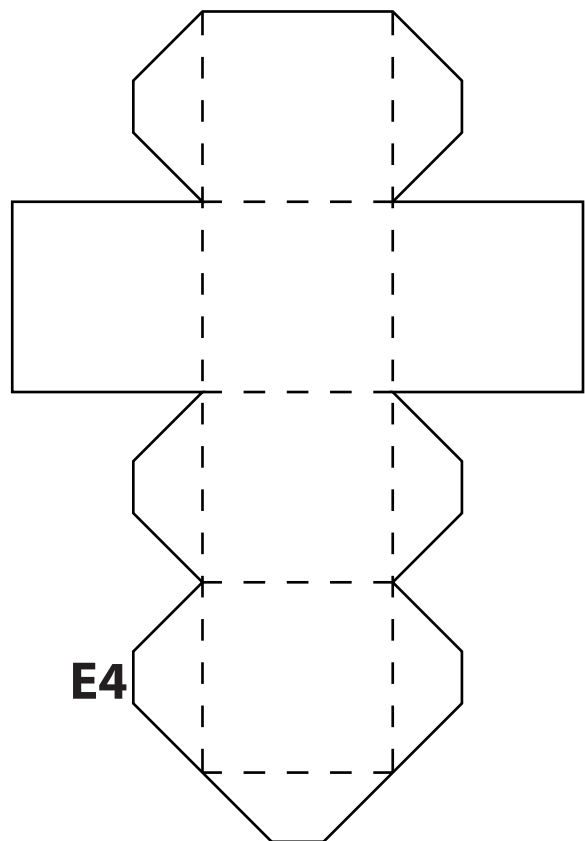
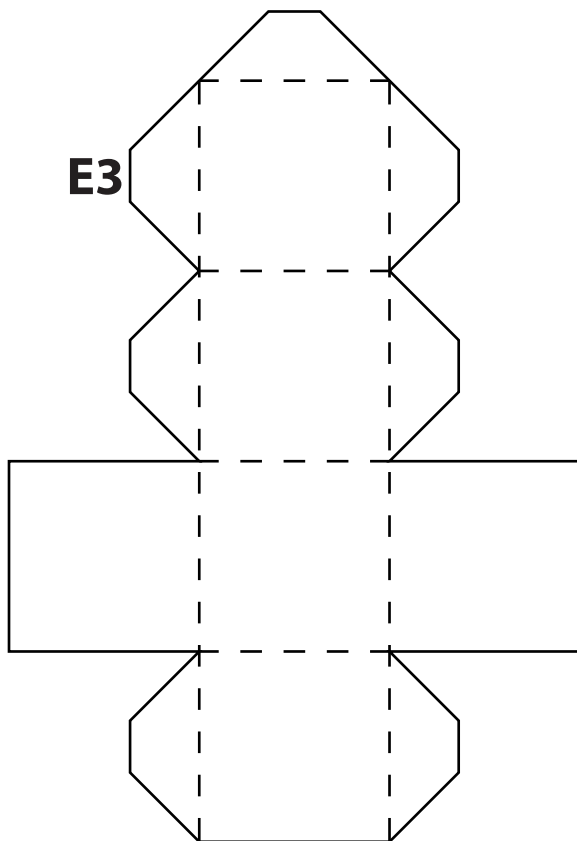
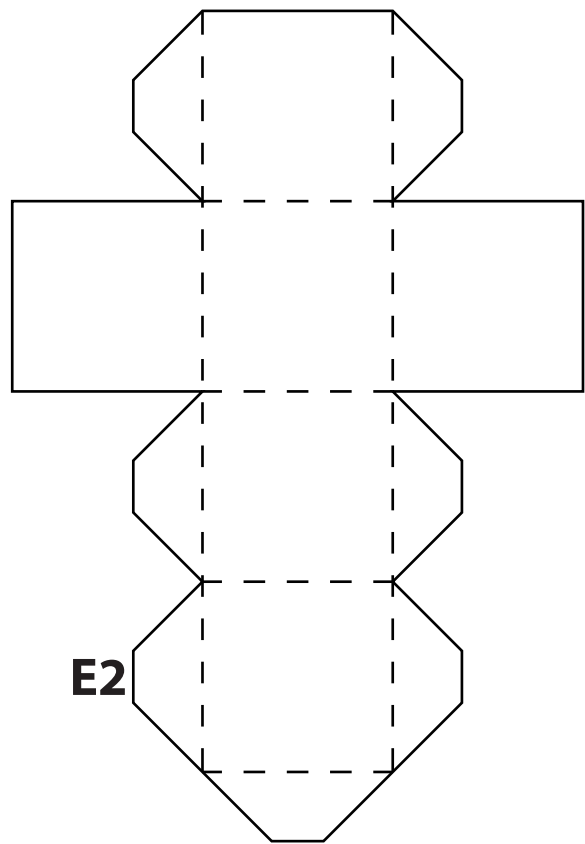
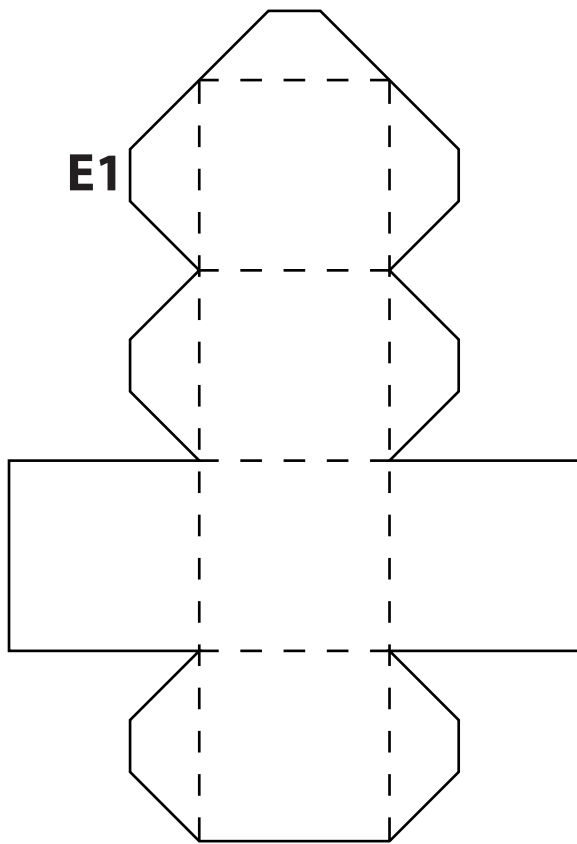
J (portal roof)



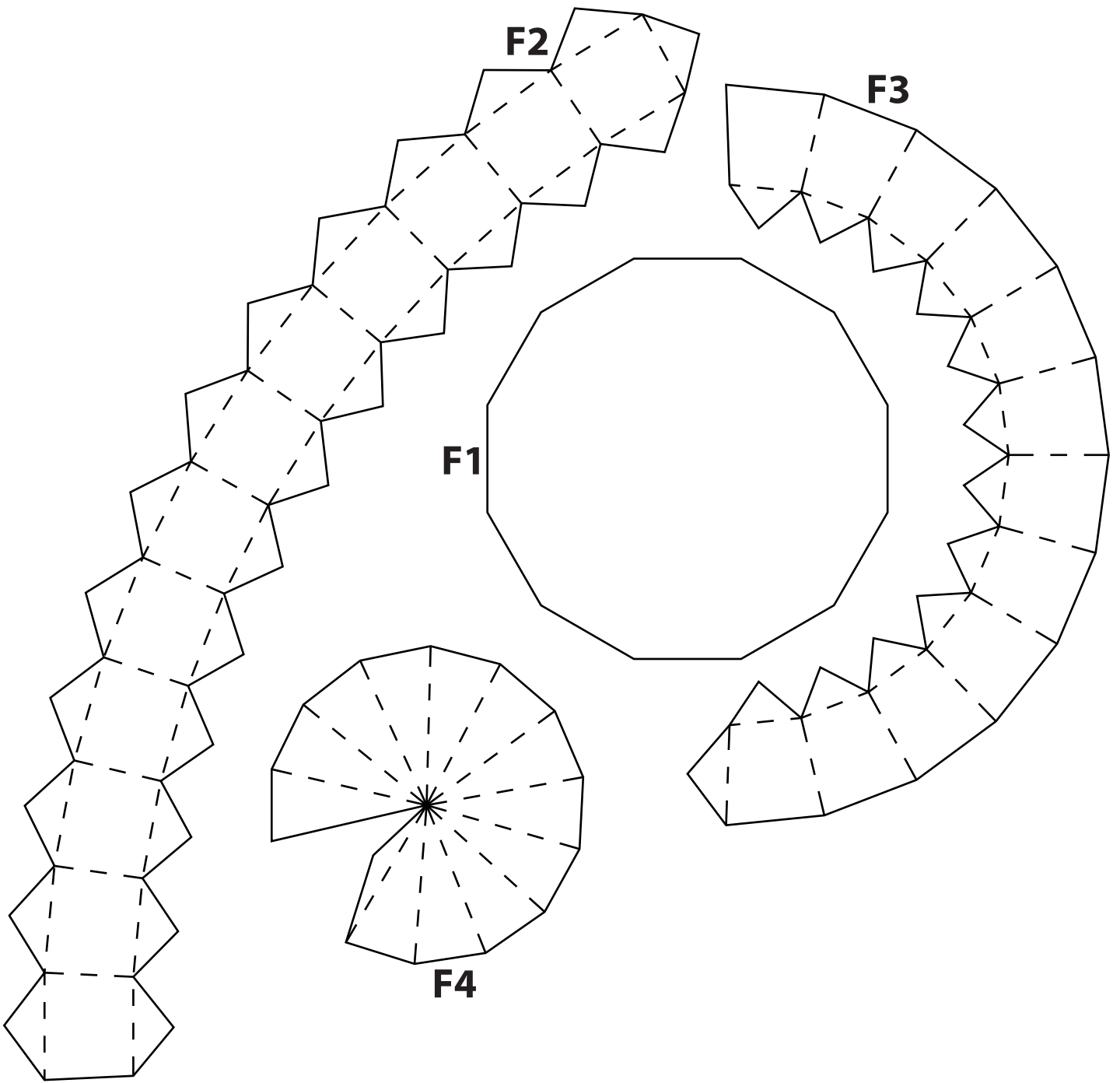
D (corner parts)



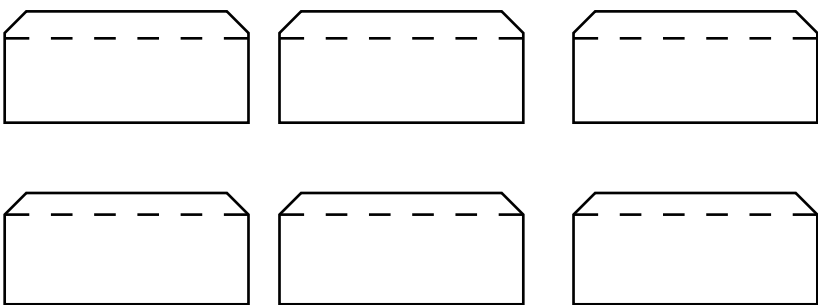
E (extensions)



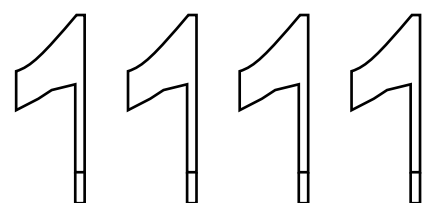
F (dome)



I (columns)



K (flags)





ARCHITECTURE

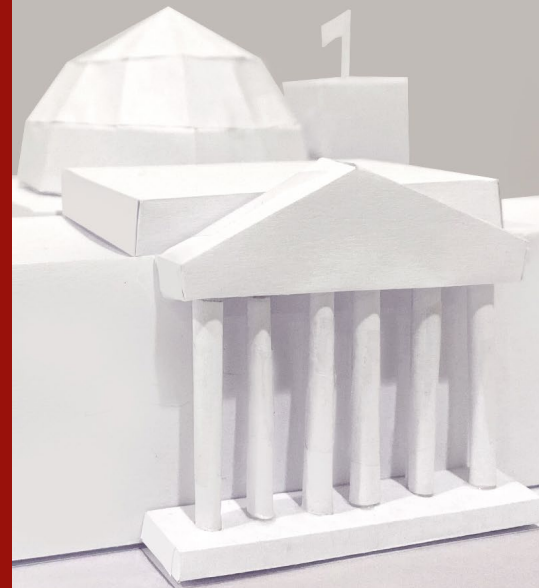
with sauce 

This tinker set has been provided by ARCHITECTURE with sauce, a project dedicated to offer crafting models.

Be sure to upload your building to the official gallery after you decorated it with colors or glitter: www.craftingmodels.com/upload/

You can share your artwork on social media using the tags #craftingmodel #berlin and #germany.

Hungry for building more? You can download additional crafting sets directly online at www.craftingmodels.com



Reichstag Building

CRAFTING MODEL 1:500

difficulty: hard 



The database of 3dbuildings contains everything you need to visualize building data. Visit 3dbuildings.com to learn more about our services.