



**ARCHITECTURE**

*with sauce* 

Print out all parts and paint them in your favorite colors, before cutting them out.

Glue the page containing the building body onto a piece of thick paper.

Cut out all parts with scissors.

Use a ruler and a wooden stick to scratch the black dashed lines, this will make them fold easier.

Add all parts to the body step by step. The instructions on the next page will help you to do so. Afterwards, decorate your tower!



# 875 North Michigan

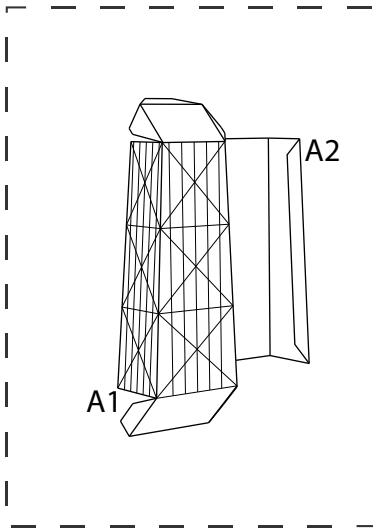
CRAFTING MODEL

JUNIOR VERSION

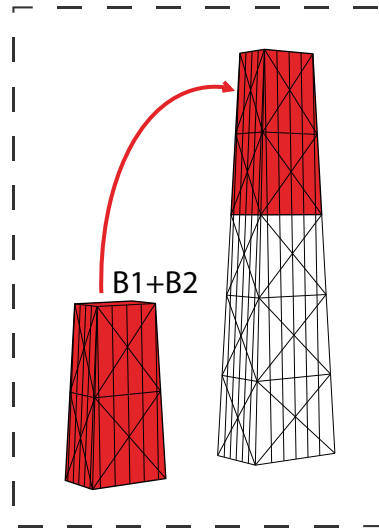
SIMPLIFIED

The creation of this crafting set  
was made possible by:

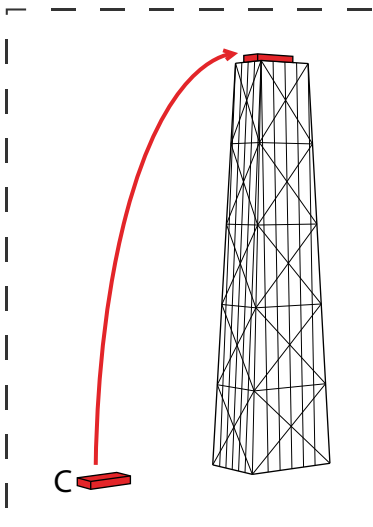




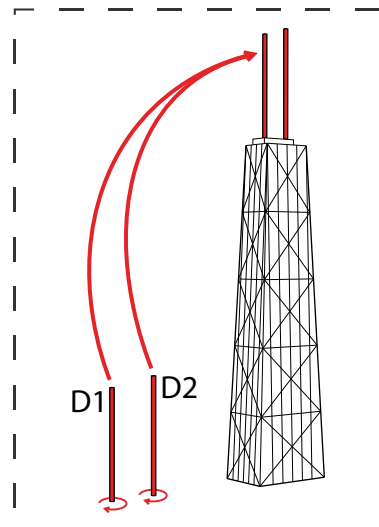
Start with the main body.  
Use the two parts and  
glue them on the sides.



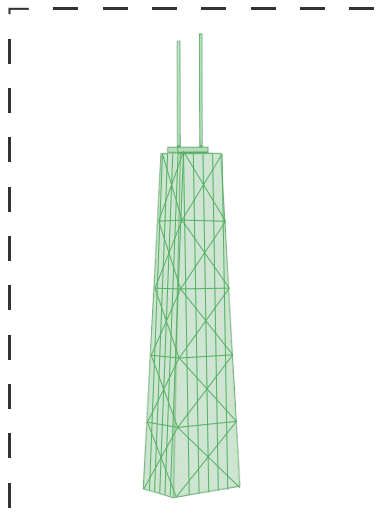
Repeat it by folding  
the next part,  
and glue it on top.



Then fold the podium and  
attach it to the roof.

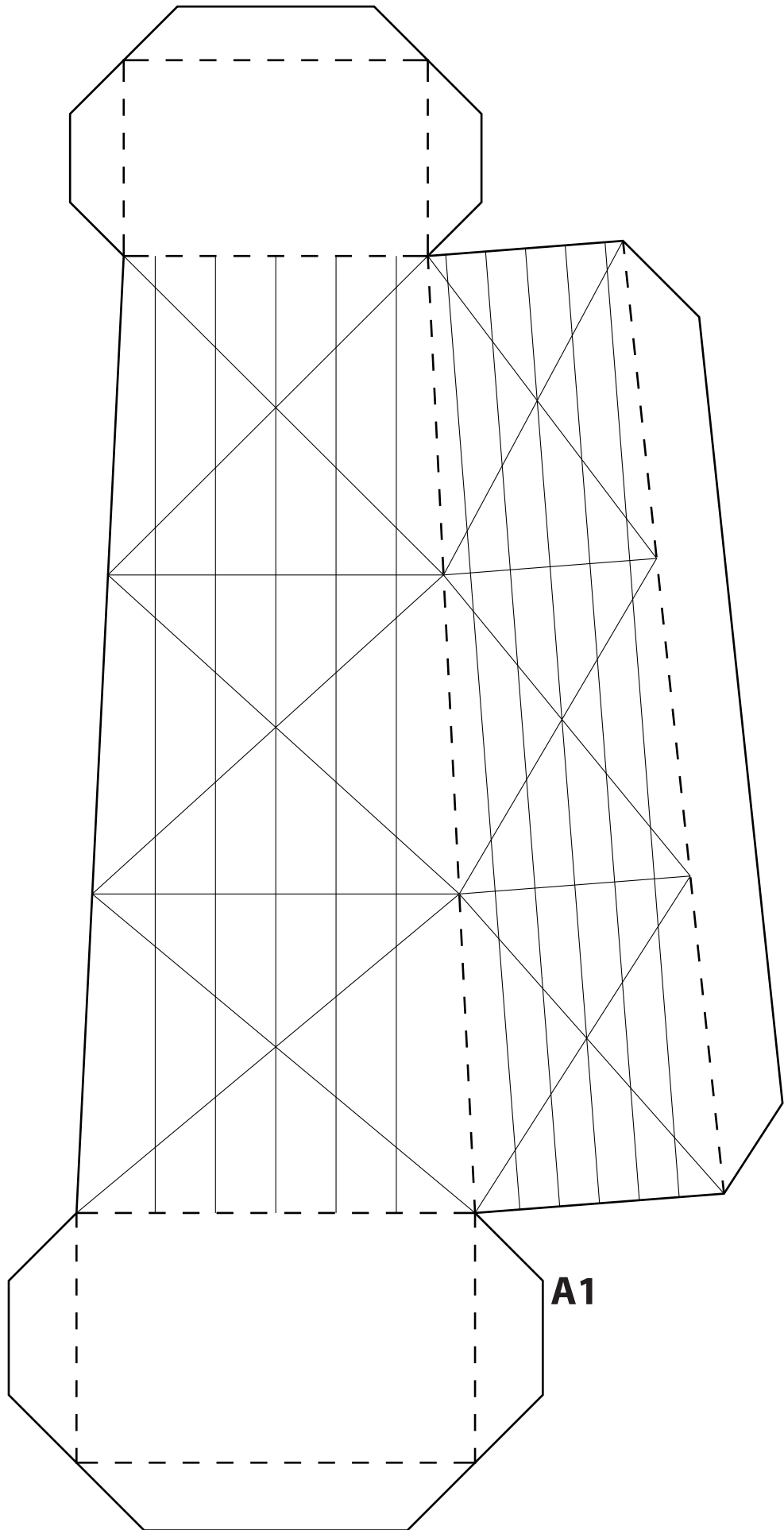


Finally, fold the antennas and  
glue them on top.

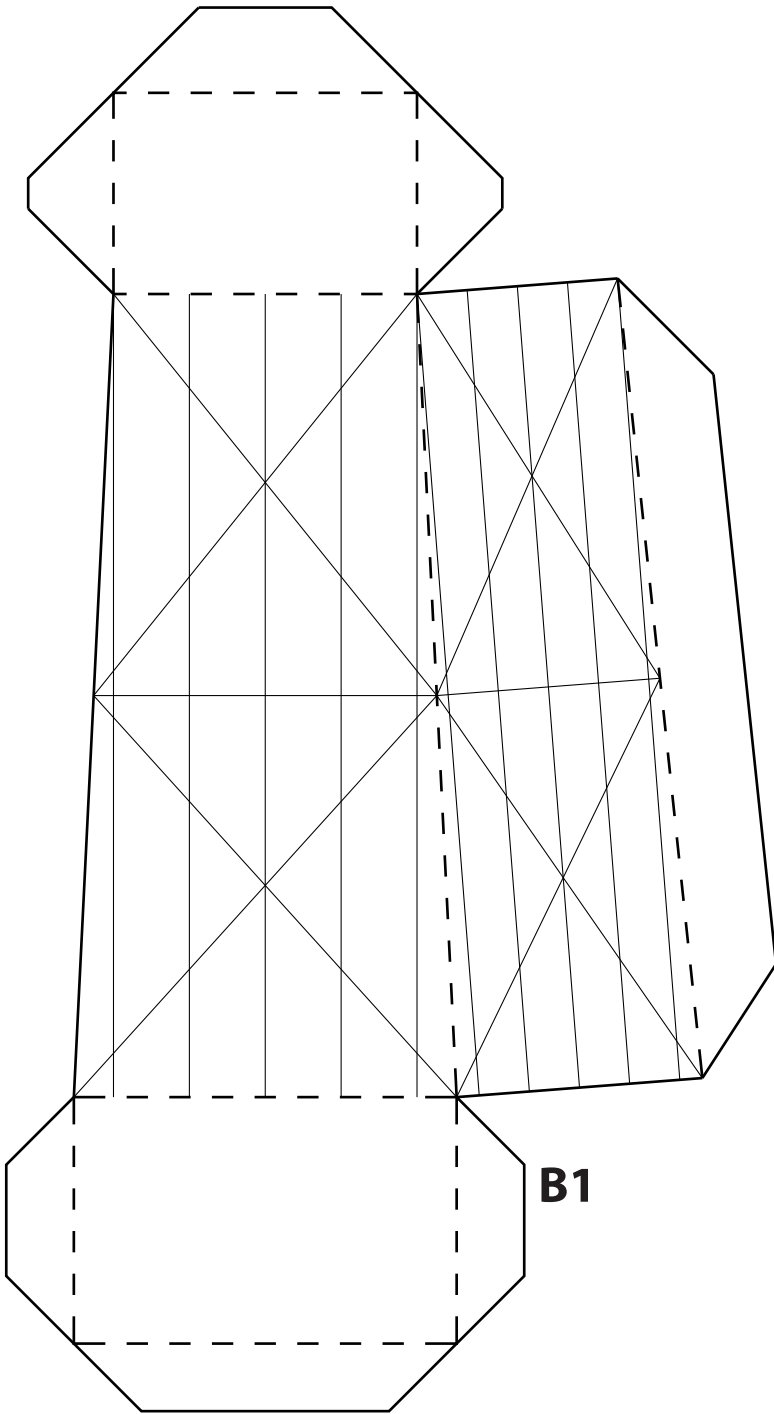


Congratulations, you did it!  
To share your artwork with others,  
please see the last page.

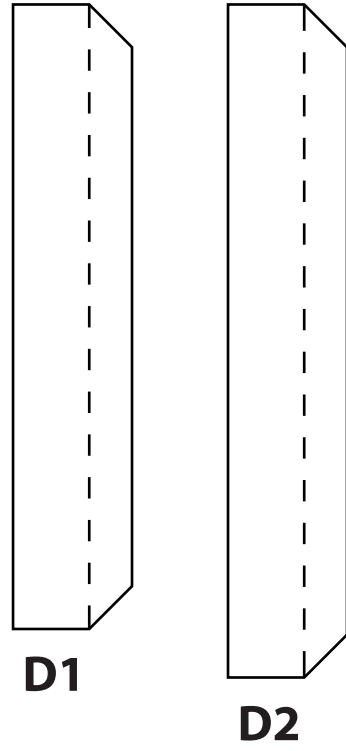
**A** (lower body)



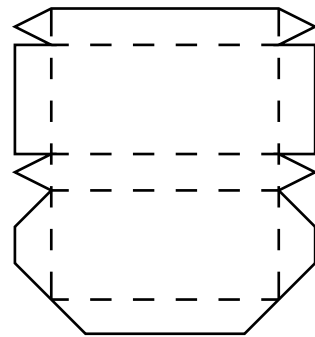
**B (top body)**



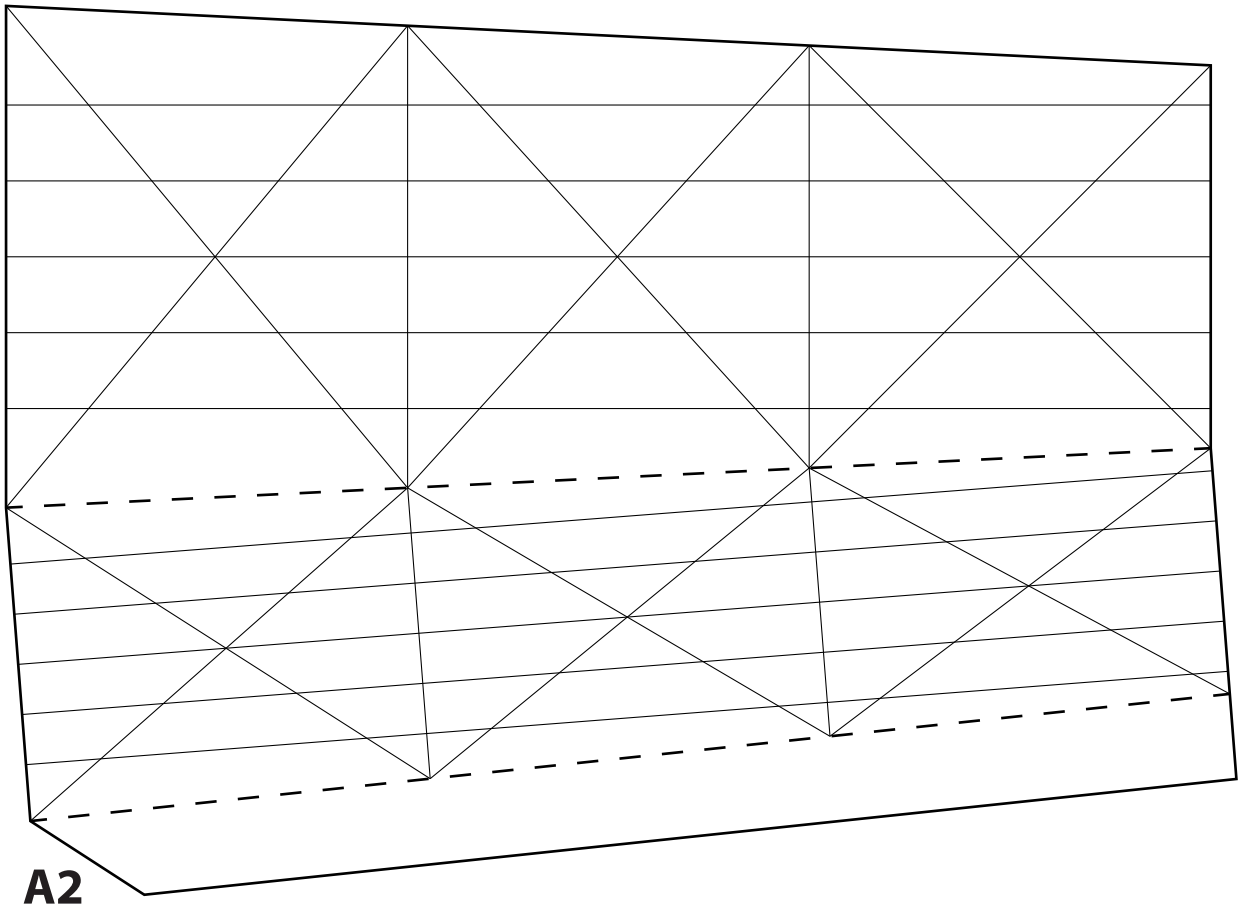
**D (antenna)**



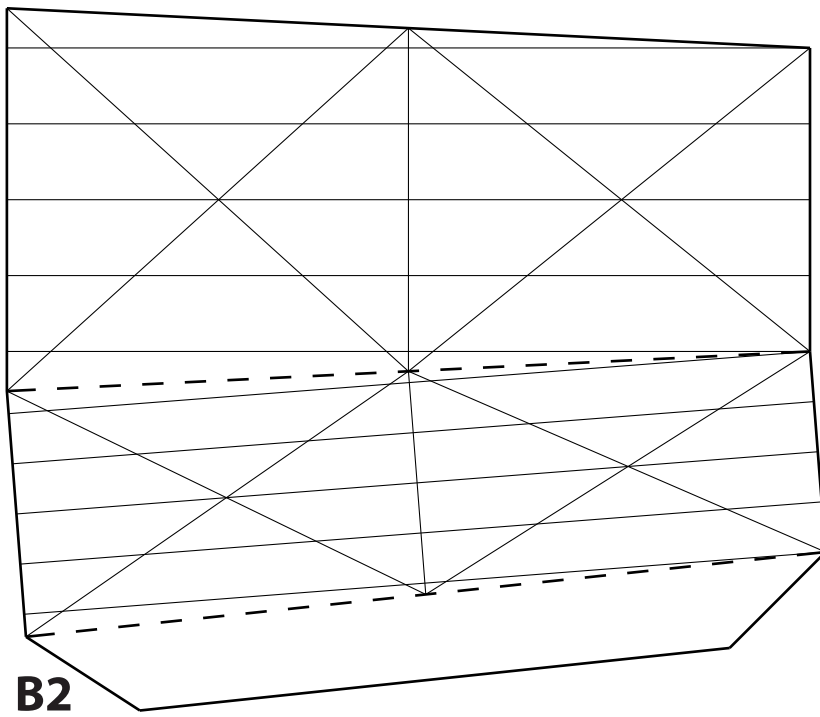
**C (podium)**



**A (lower body)**



**B (top body)**





# ARCHITECTURE

*with sauce*



This tinker set has been provided by ARCHITECTURE with sauce, a project dedicated to offer crafting models.

Be sure to upload your building to the official gallery after you decorated it with colors or glitter: [www.craftingmodels.com/upload/](http://www.craftingmodels.com/upload/)

You can share your artwork on social media using the tags #craftingmodel #chicago #johnhancockcenter and #875northmichigan.

Hungry for building more? You can download additional crafting sets directly online at [www.craftingmodels.com](http://www.craftingmodels.com)



## 875 North Michigan

### CRAFTING MODEL

difficulty: easy



Visit the world's largest database of skyscrapers and tall buildings on [www.skydb.net](http://www.skydb.net). Be sure to also follow @skydb\_net on social media.