



ARCHITECTURE

with sauce

Print out all parts and paint them in your favorite colors, before cutting them out.

Glue the page containing the building body onto a piece of thick paper.

Cut out all parts with scissors.

Use a ruler and a wooden stick to scratch the black dashed lines, this will make them fold easier.

Add all parts to the body step by step. The instructions on the next page will help you to do so. Afterwards, decorate your tower!



Allianz Arena

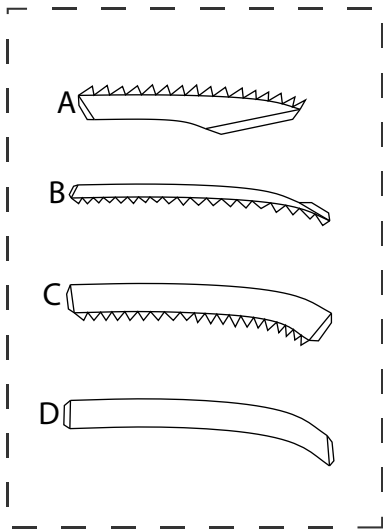
CRAFTING MODEL

JUNIOR VERSION

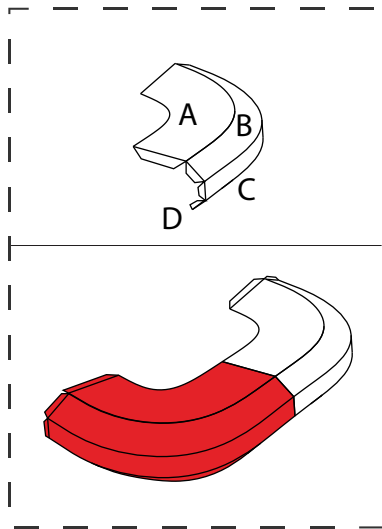
SIMPLIFIED

The creation of this crafting set
was made possible by:

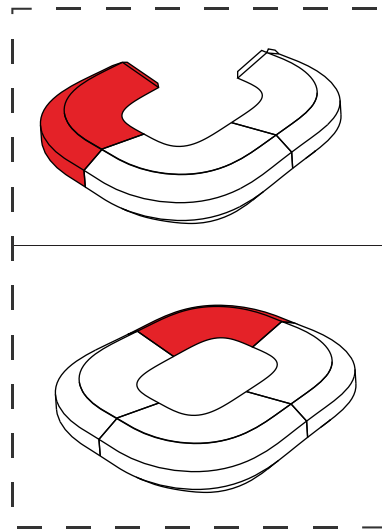




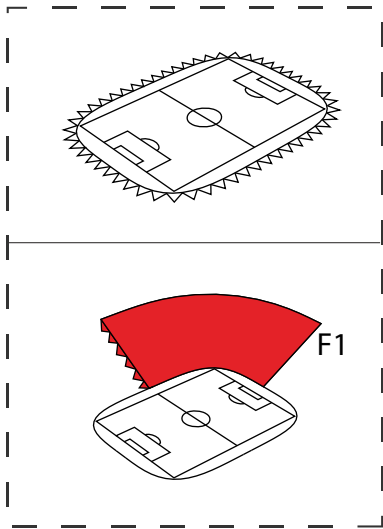
Connect pieces A to D and form a roof section. Repeat this to get a total of four roof sections.



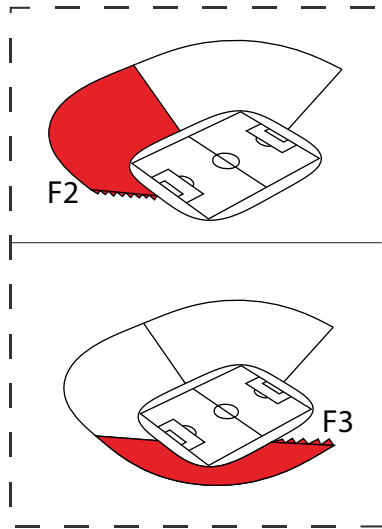
Stick the four roof sections together using glue.



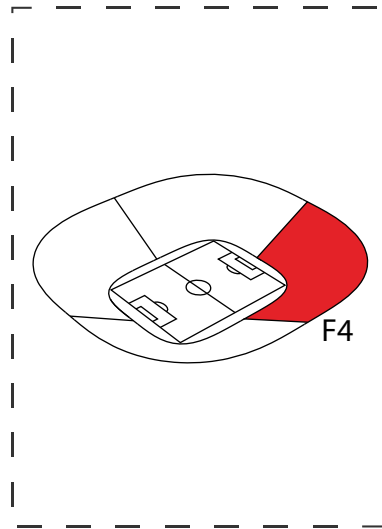
Complete the roof by adding the remaining roof sections.



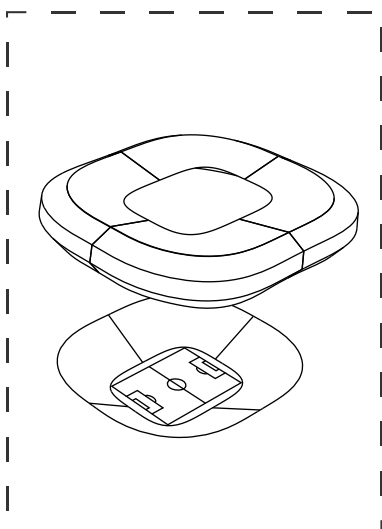
The field will serve as basis for adding the first grandstand.



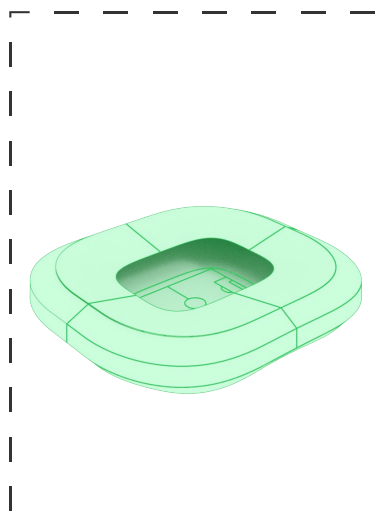
Attach the second and third grandstand to the field.



Complete the stadium body by adding the last grandstand.

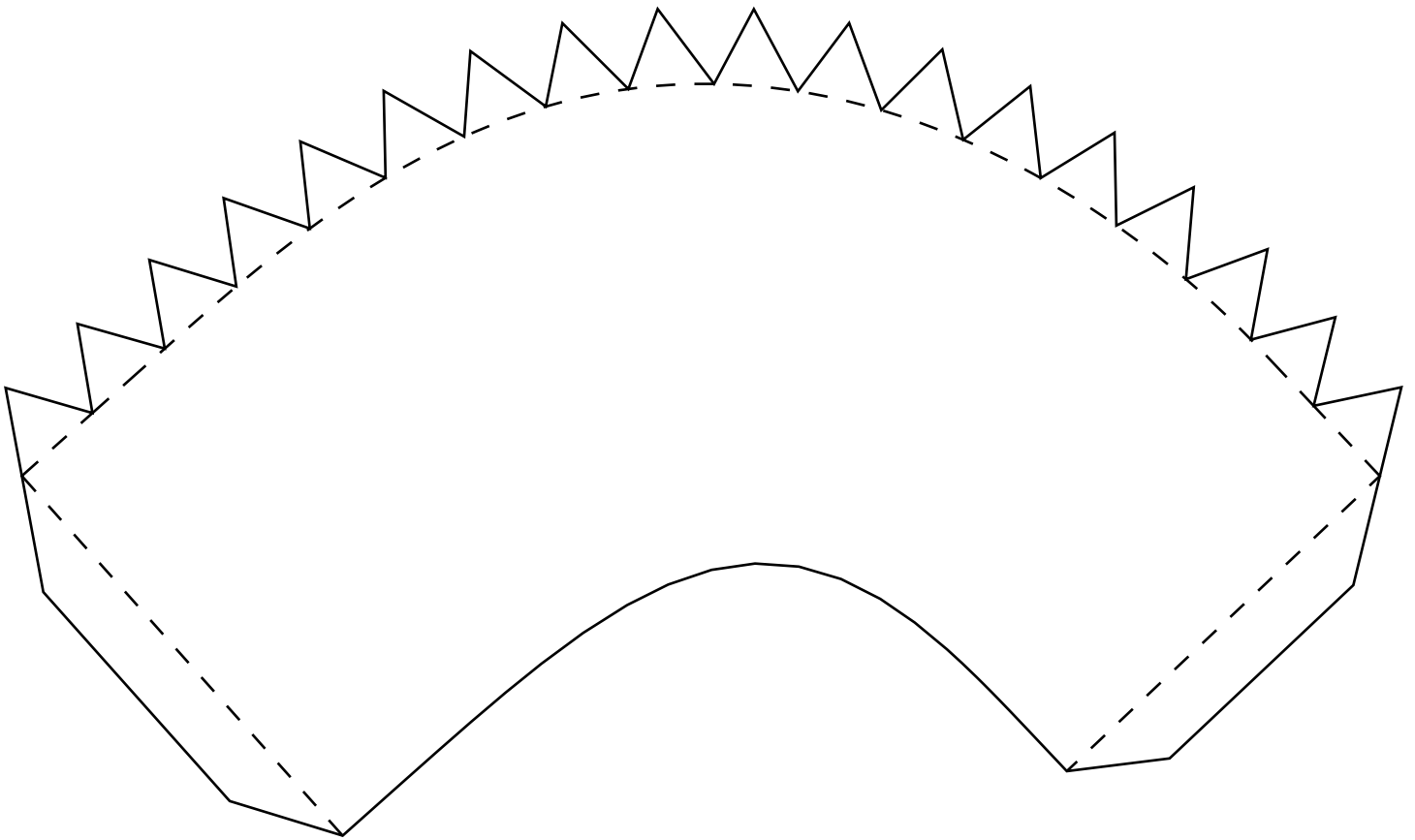
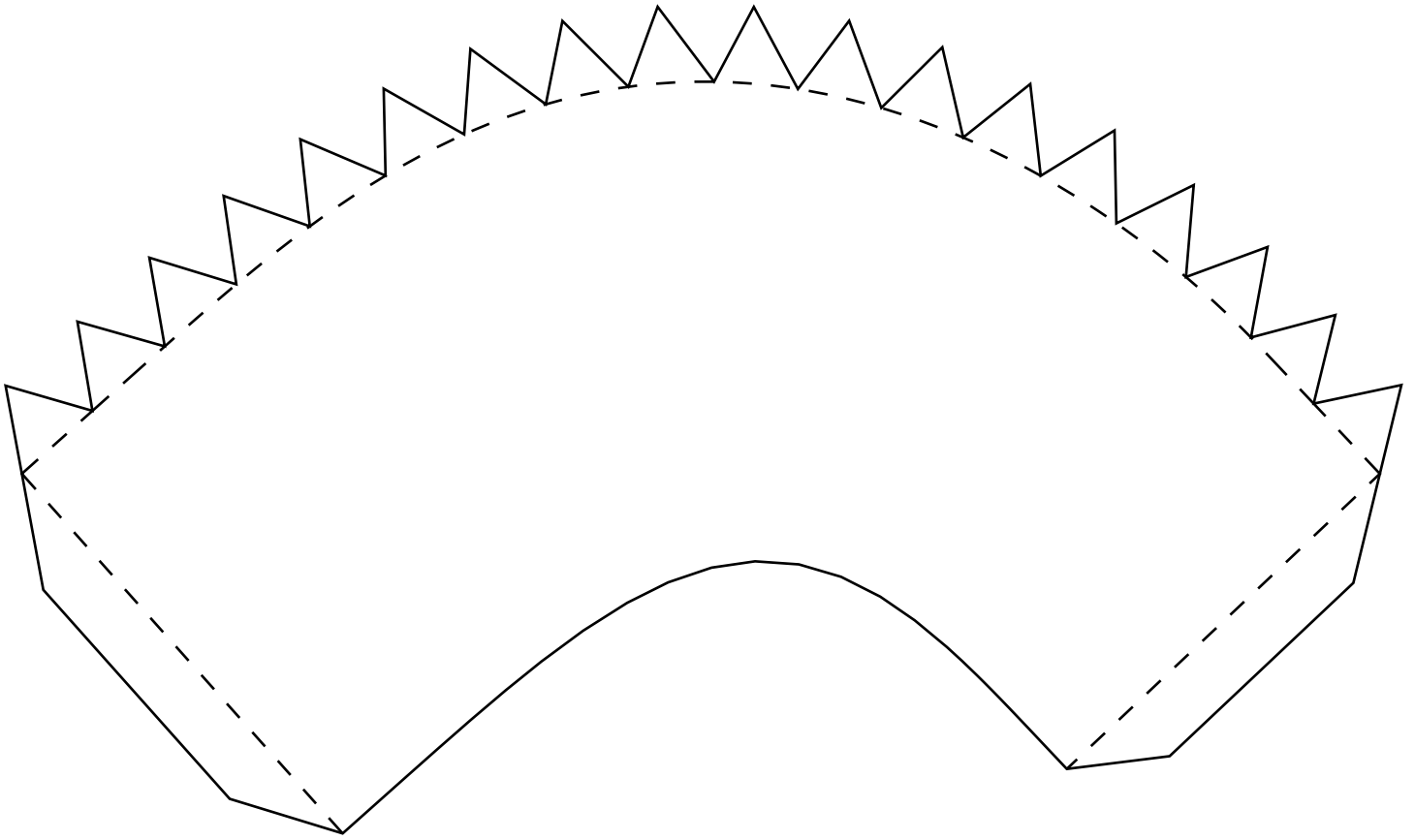


Connect the stadium body to the roof.

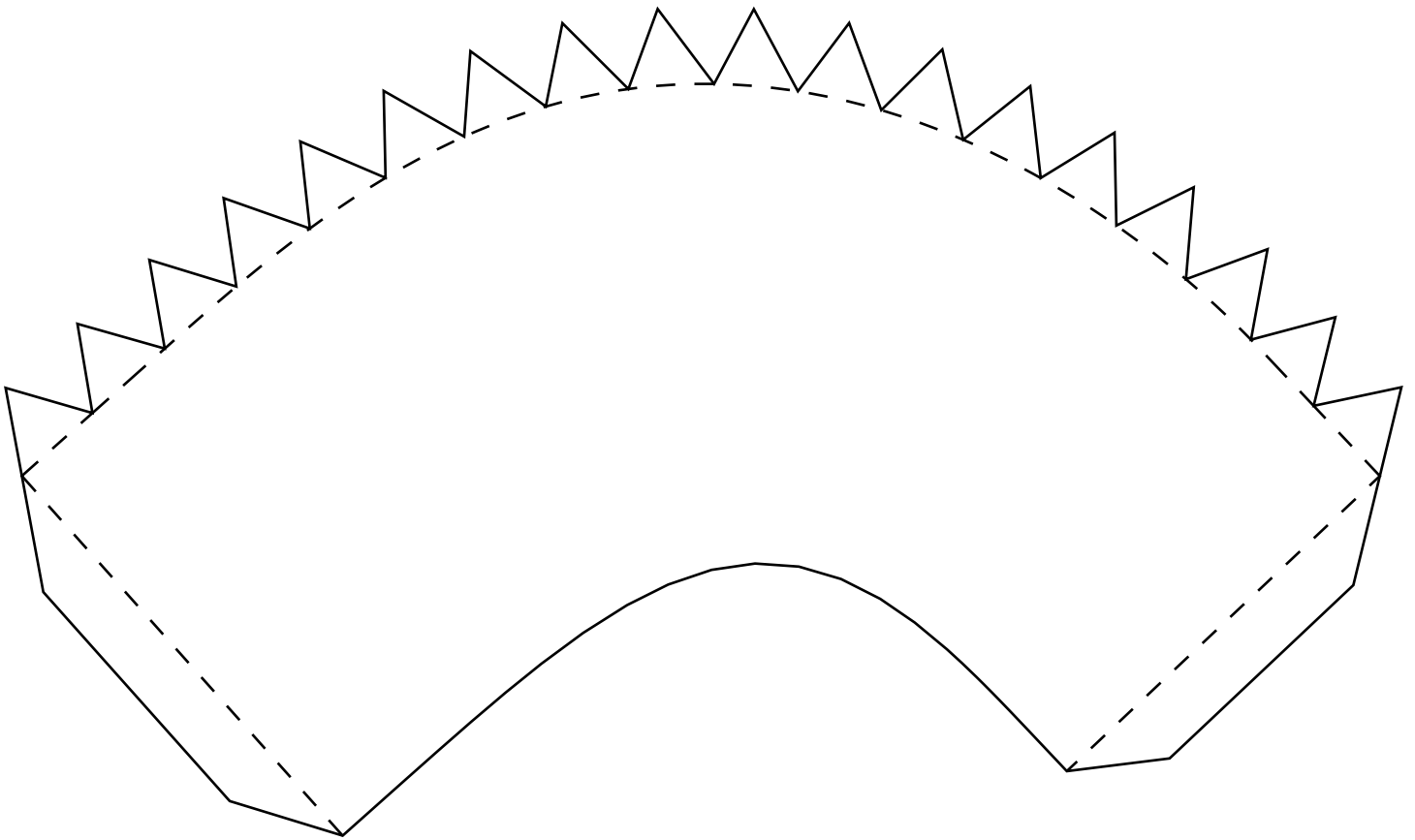
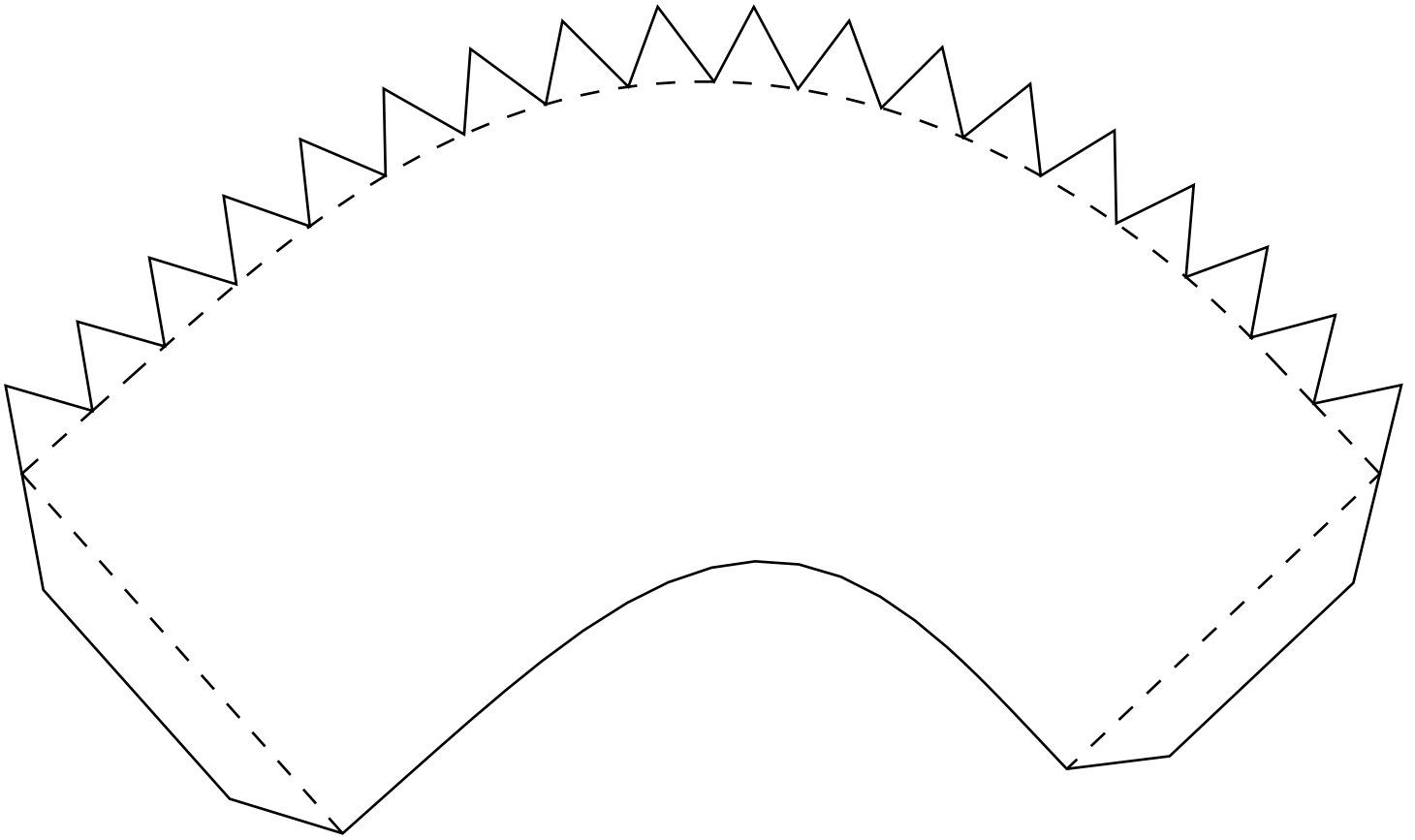


Congratulations, you did it!
To share your artwork with others,
please see the last page.

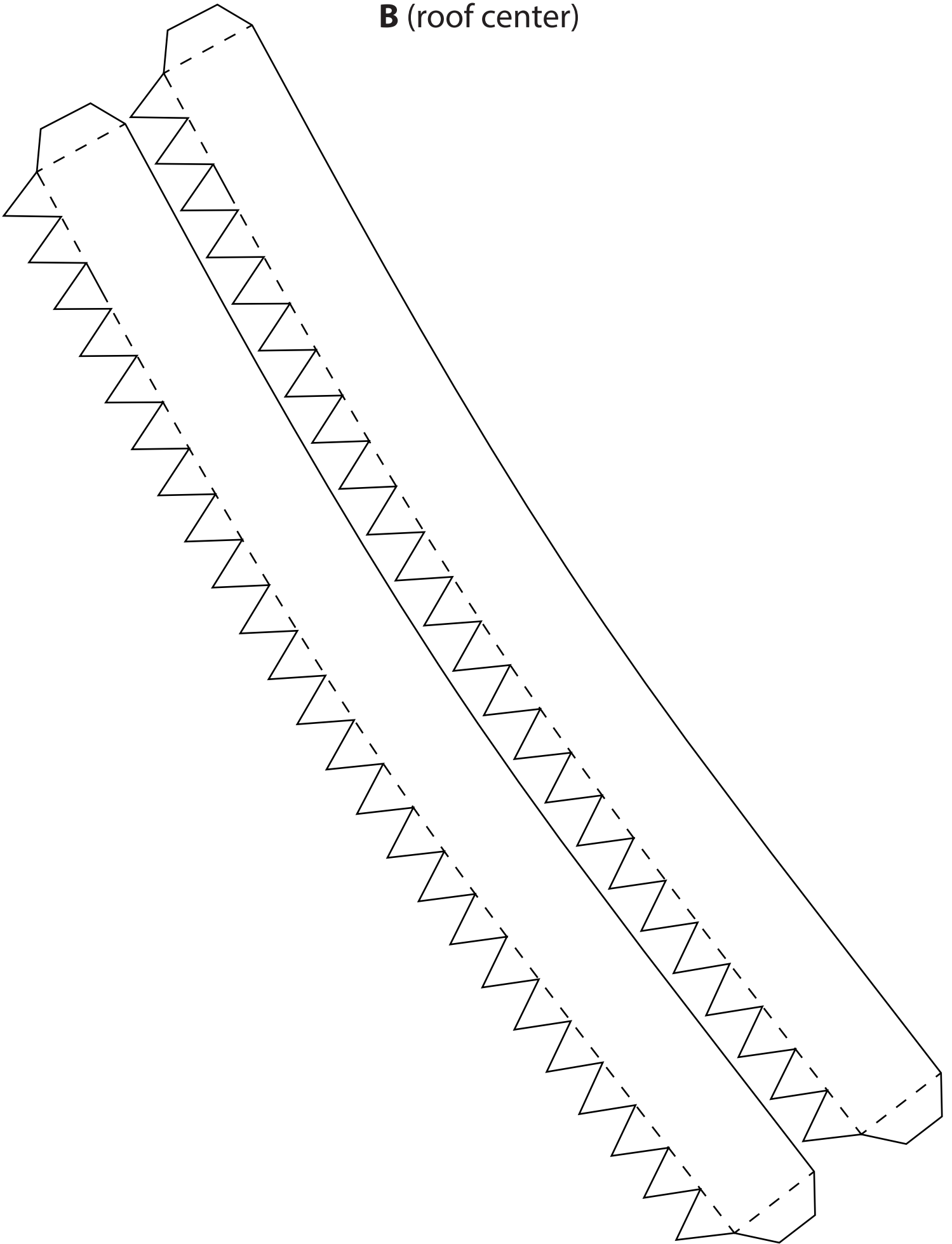
A (roof top)



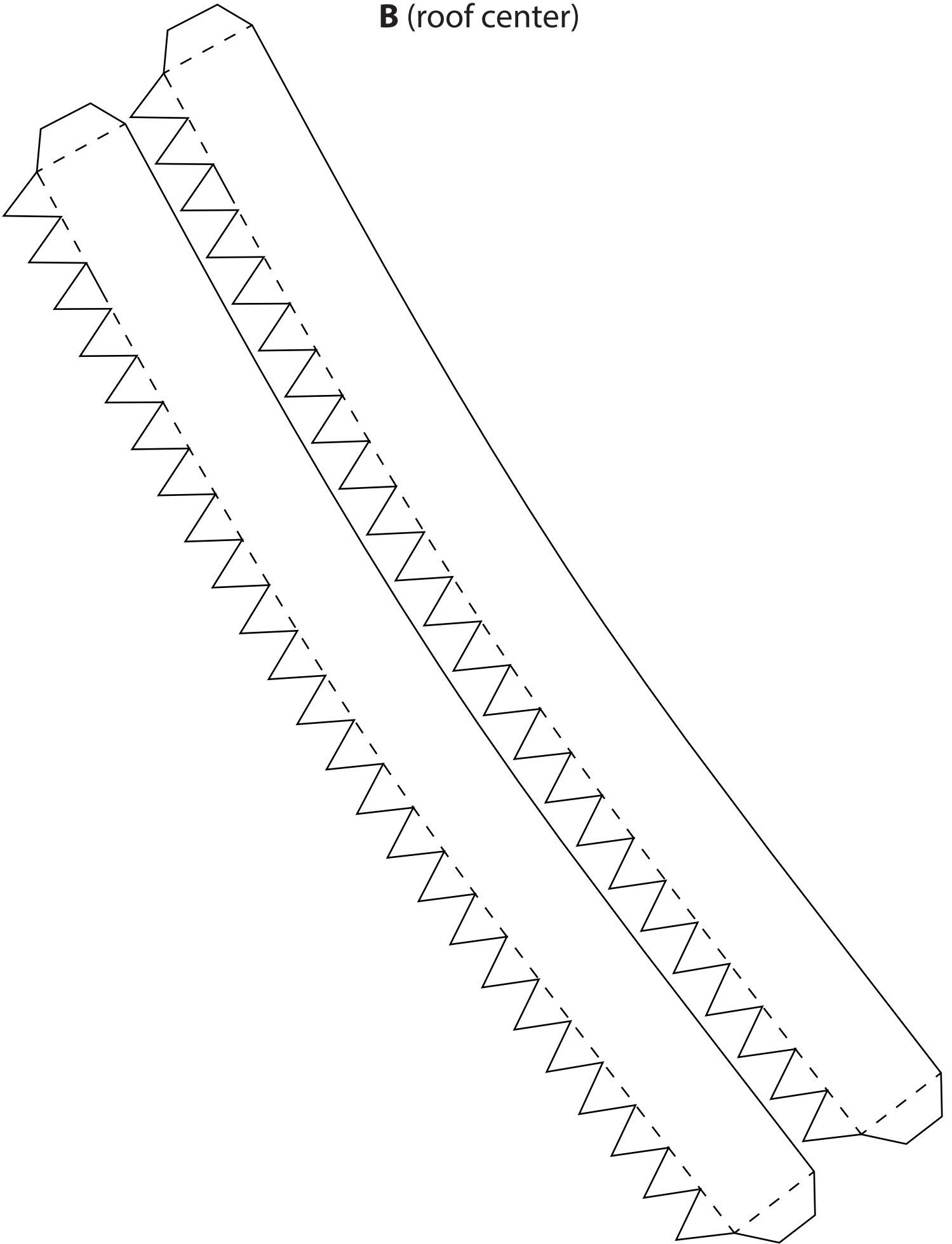
A (roof top)



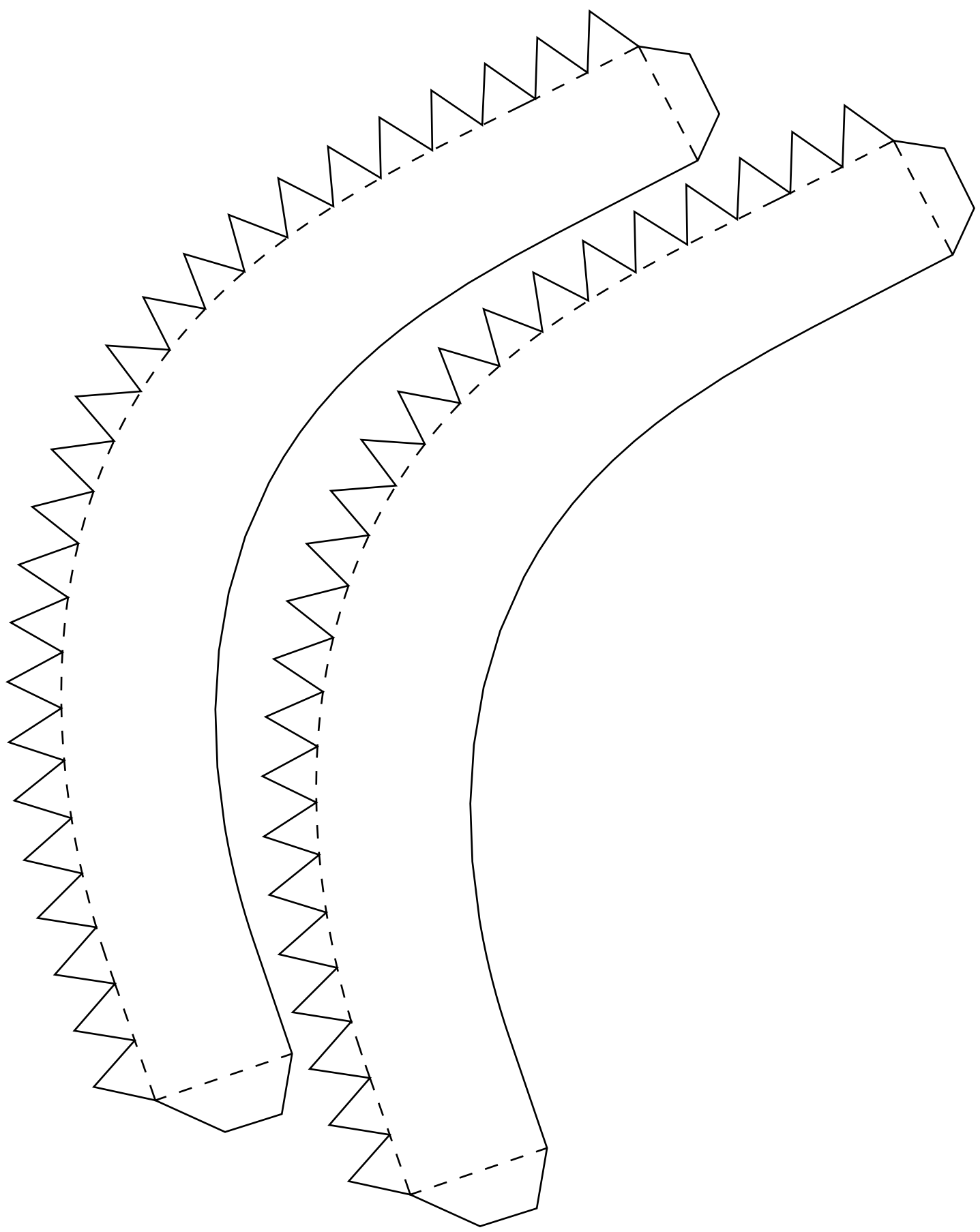
B (roof center)



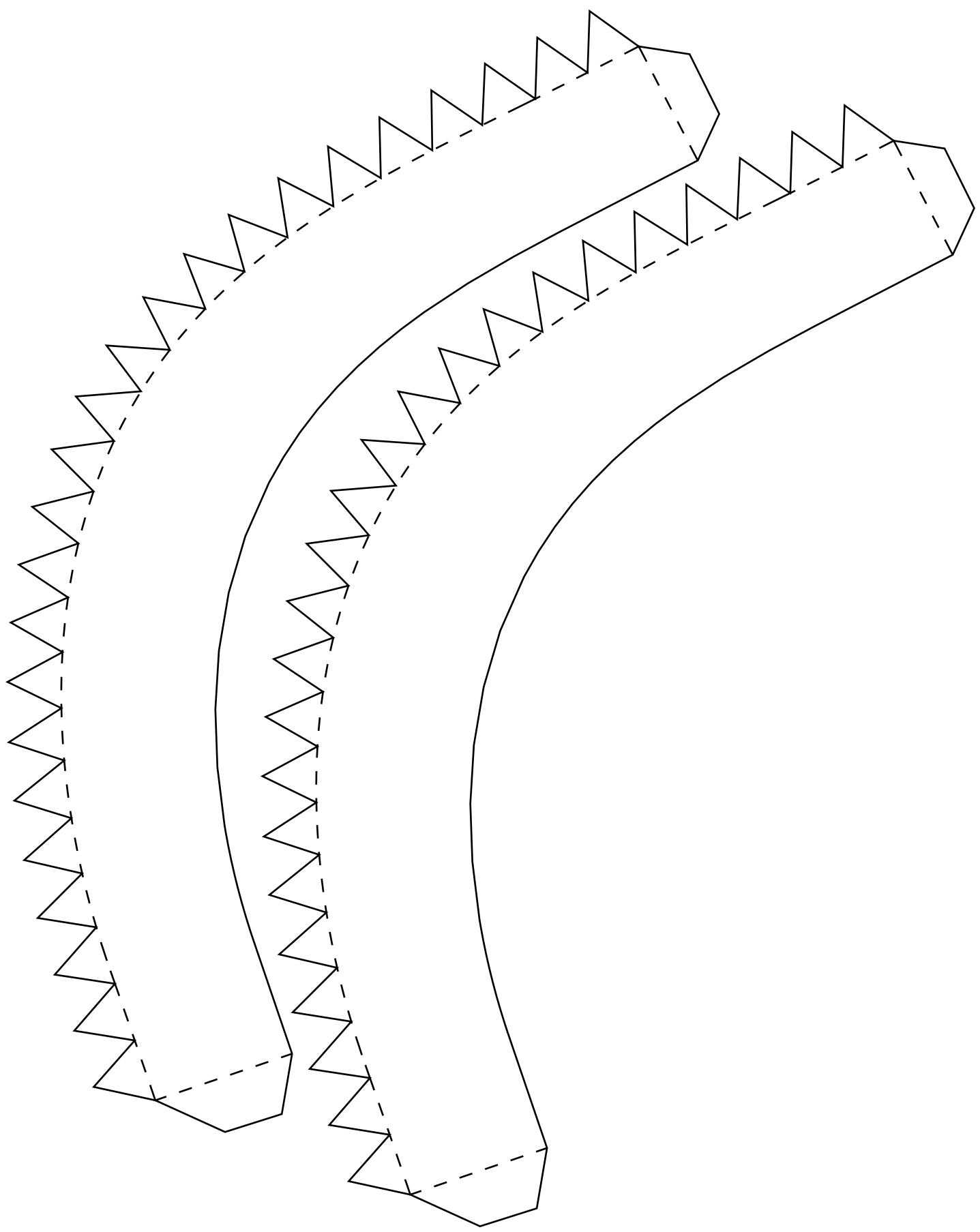
B (roof center)



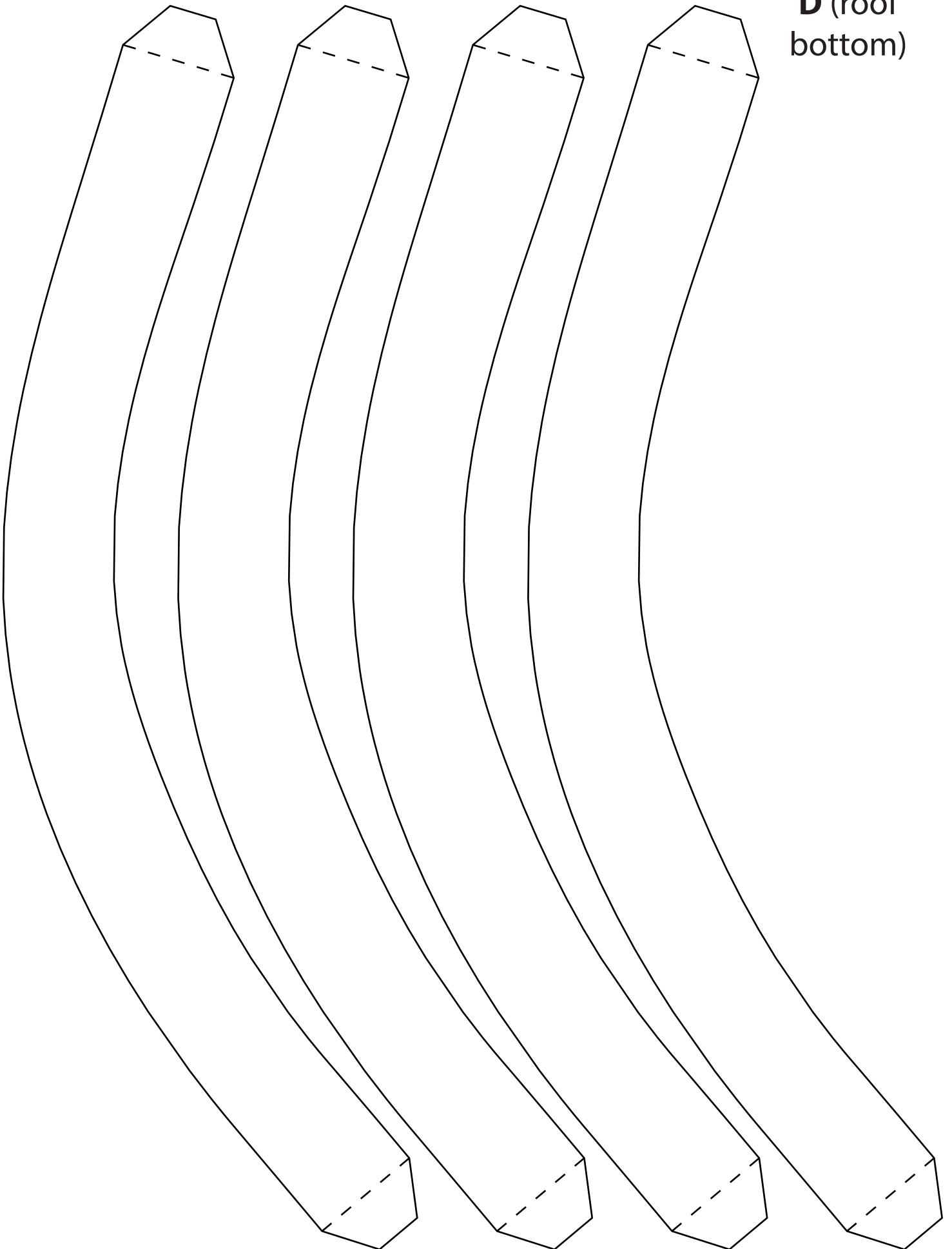
C (roof center)



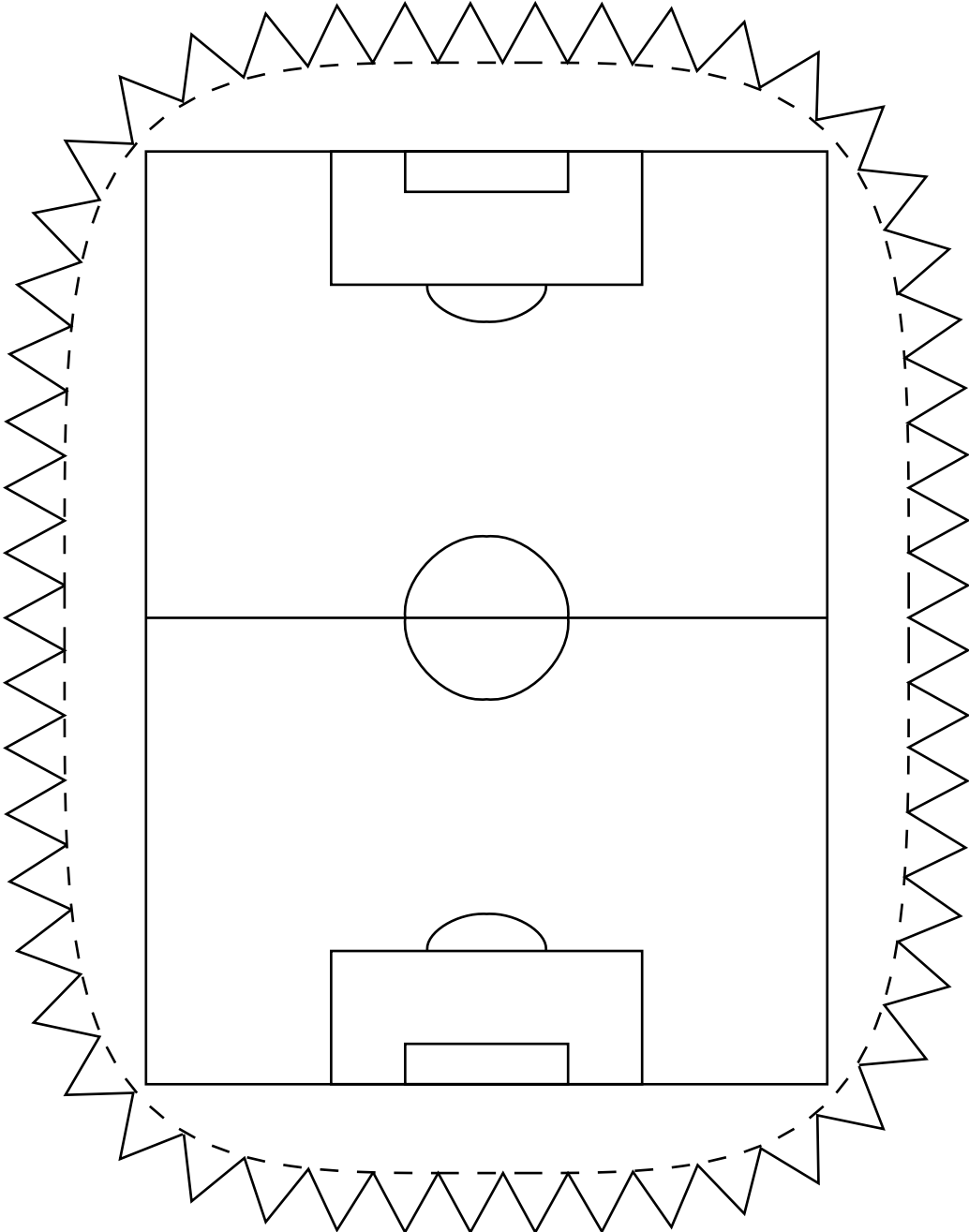
C (roof center)



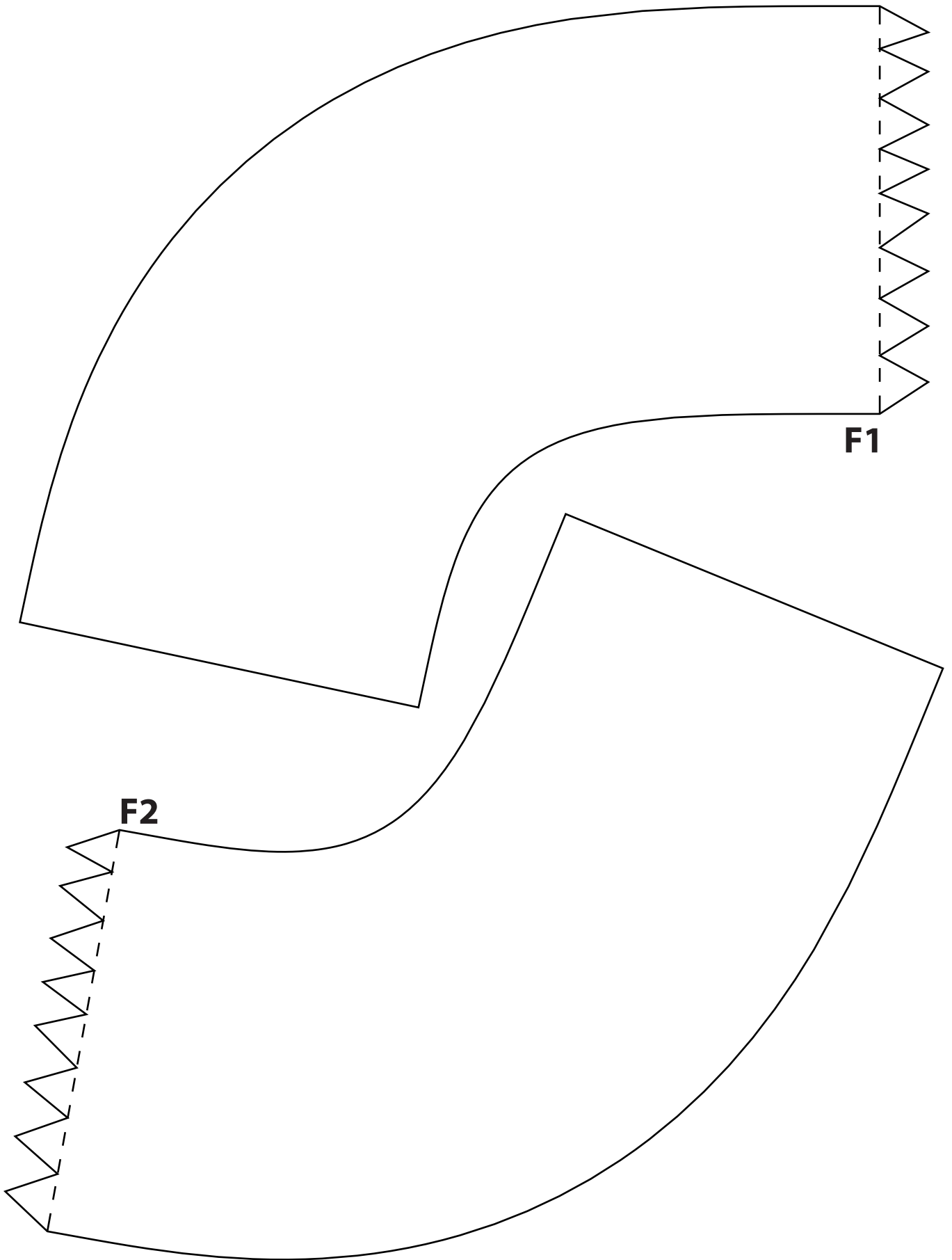
D (roof
bottom)



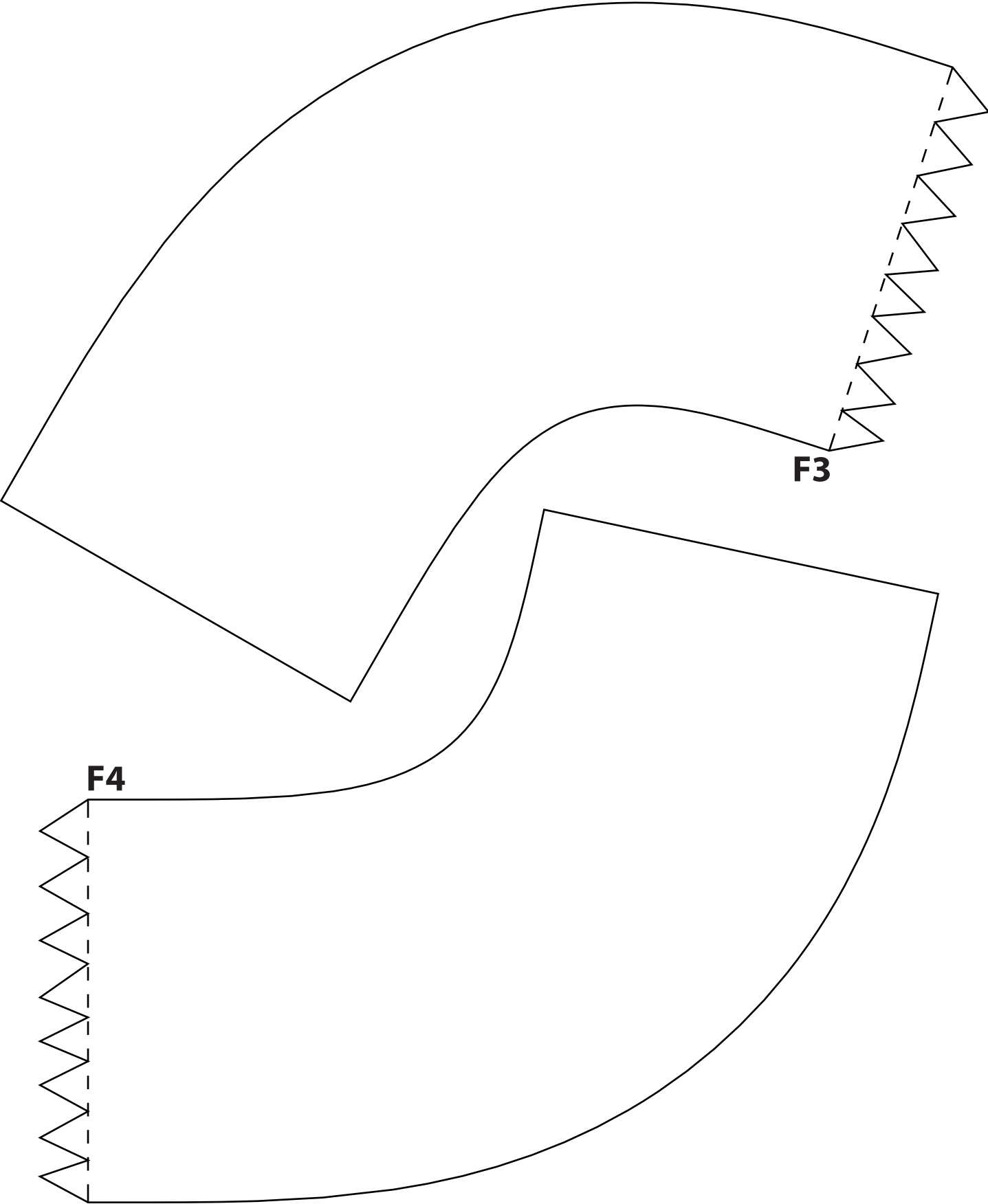
E (soccer field)



F (roof element)



F (roof element)





ARCHITECTURE

with sauce



This tinker set has been provided by ARCHITECTURE with sauce, a project dedicated to offer crafting models.

Be sure to upload your building to the official gallery after you decorated it with colors or glitter: www.craftingmodels.com/upload/

You can share your artwork on social media using the tags #craftingmodel #allianz and #fcbayern.

Hungry for building more? You can download additional crafting sets directly online at www.craftingmodels.com



Allianz Arena

CRAFTING MODEL 1:500

difficulty: medium



The database of 3dbuildings contains everything you need to visualize building data. Visit 3dbuildings.com to learn more about our services.