



ARCHITECTURE

with sauce 

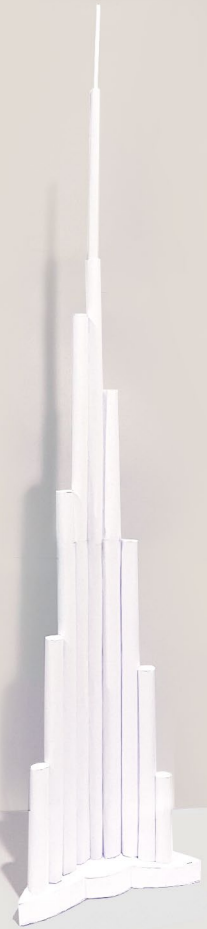
Print out all parts and paint them in your favorite colors, before cutting them out.

Glue the page containing the building body onto a piece of thick paper.

Cut out all parts with scissors.

Use a ruler and a wooden stick to scratch the black dashed lines, this will make them fold easier.

Add all parts to the body step by step. The instructions on the next page will help you to do so. Afterwards, decorate your tower!



Burj Khalifa

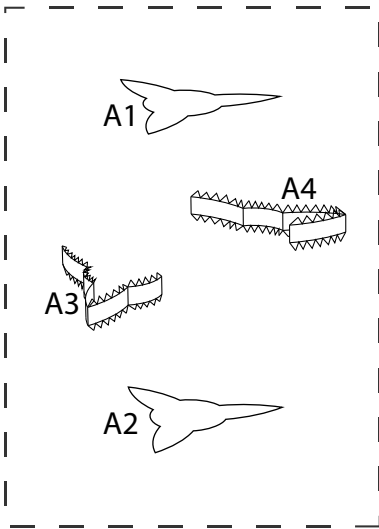
CRAFTING MODEL

JUNIOR VERSION

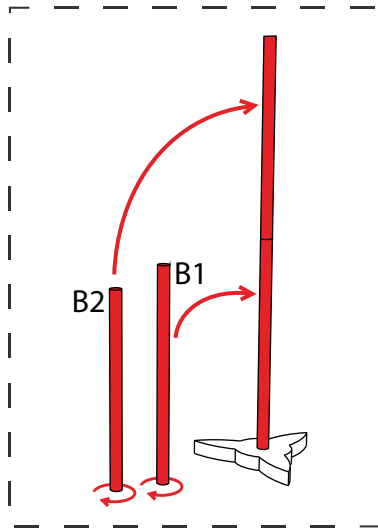
SIMPLIFIED

The creation of this crafting set
was made possible by:

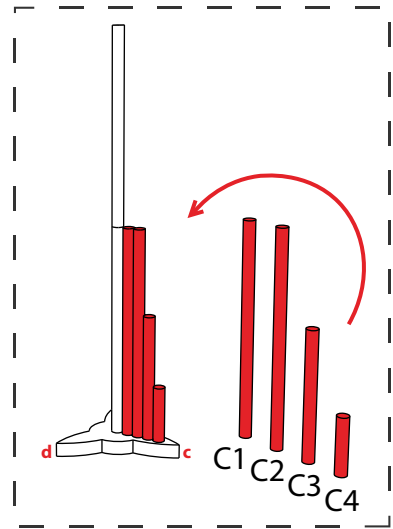




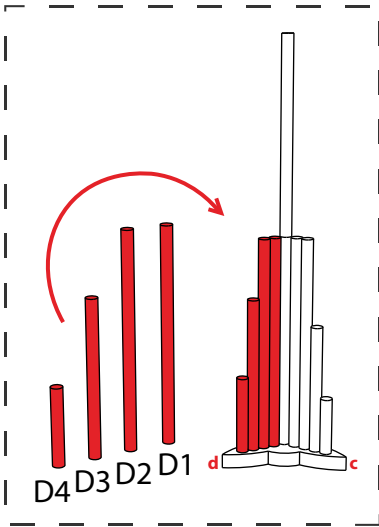
Start with the bottom part.
Fold them and glue them
to create the base.



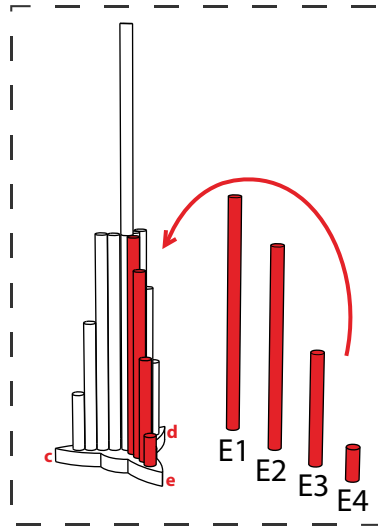
Rotate the core parts
to create cylinders and glue
them on top of each other.



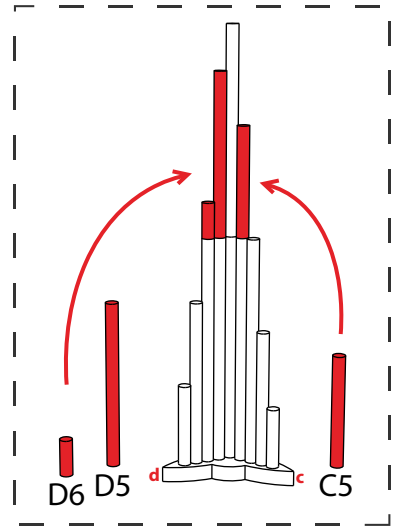
Complete the first side by
gluing cylinders on the side.
G parts are the covers of cylinders.



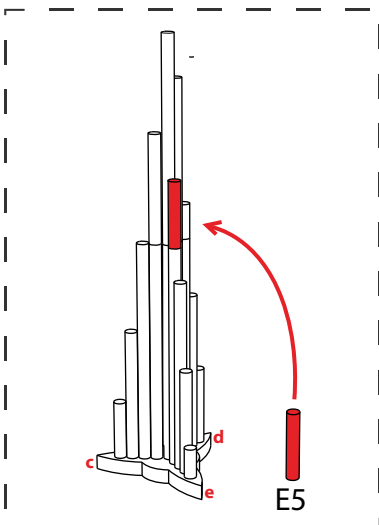
Complete the second
side by gluing cylinders
next to each other.



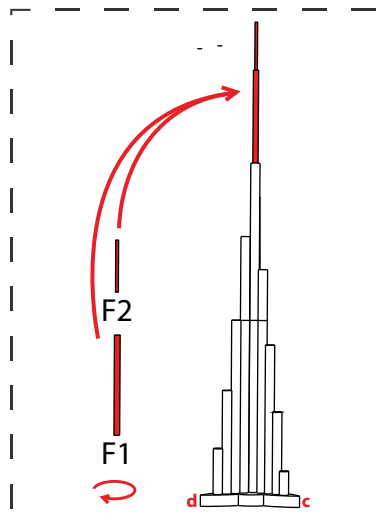
Complete the last side
by gluing cylinders
next to each other.



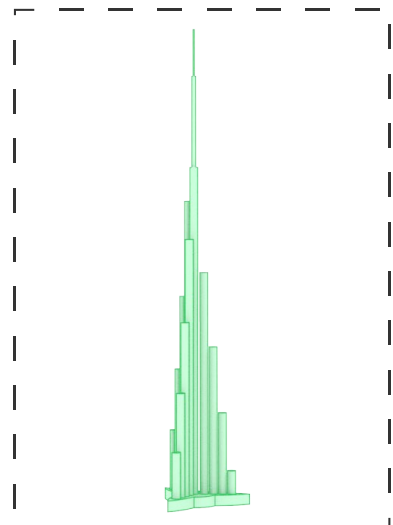
Add cylinders on top
of the two sides.



Add the last cylinder
on top of the
remaining side.

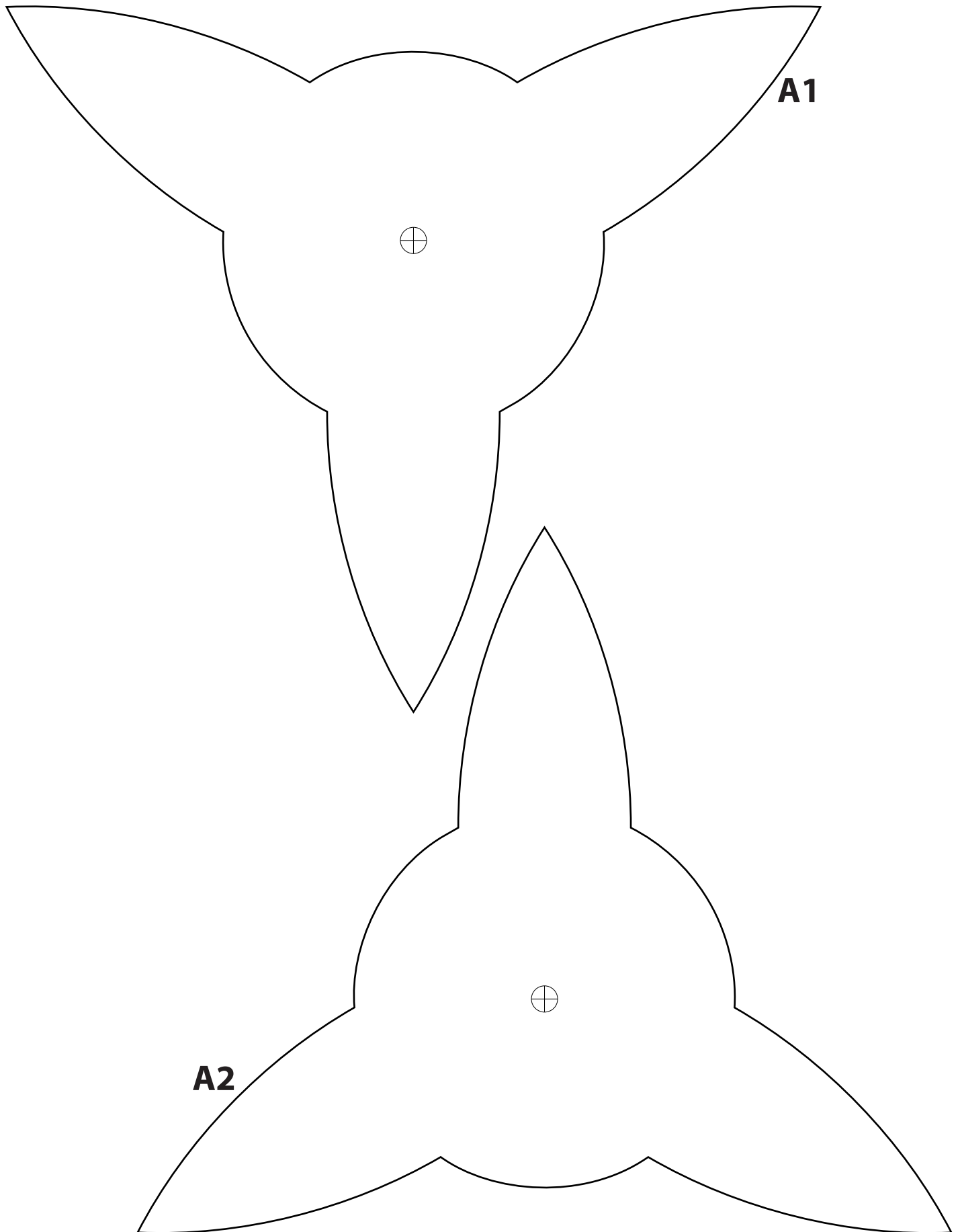


Finally, roll the antenna base
with antenna and glue
on the top of the building.

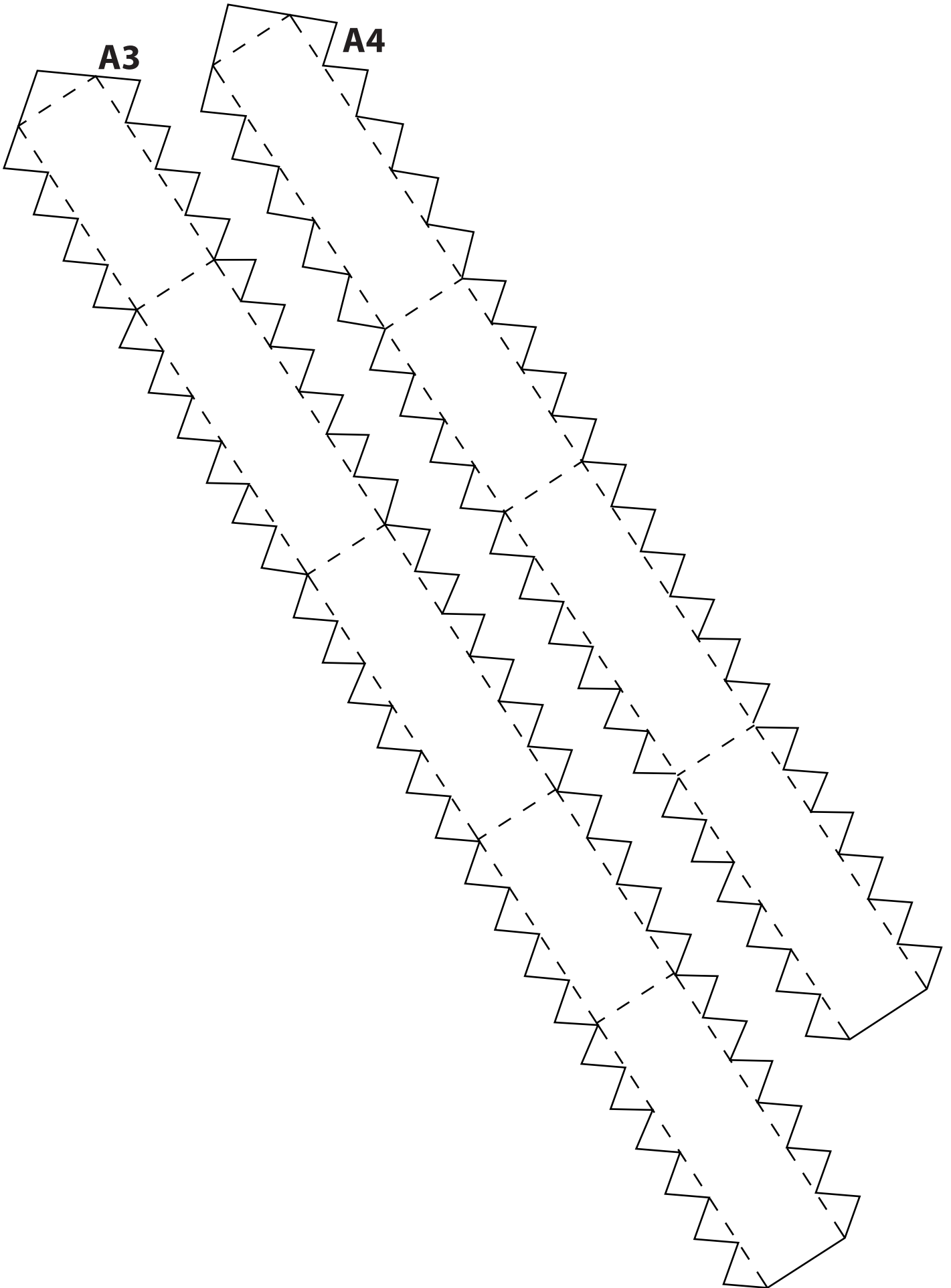


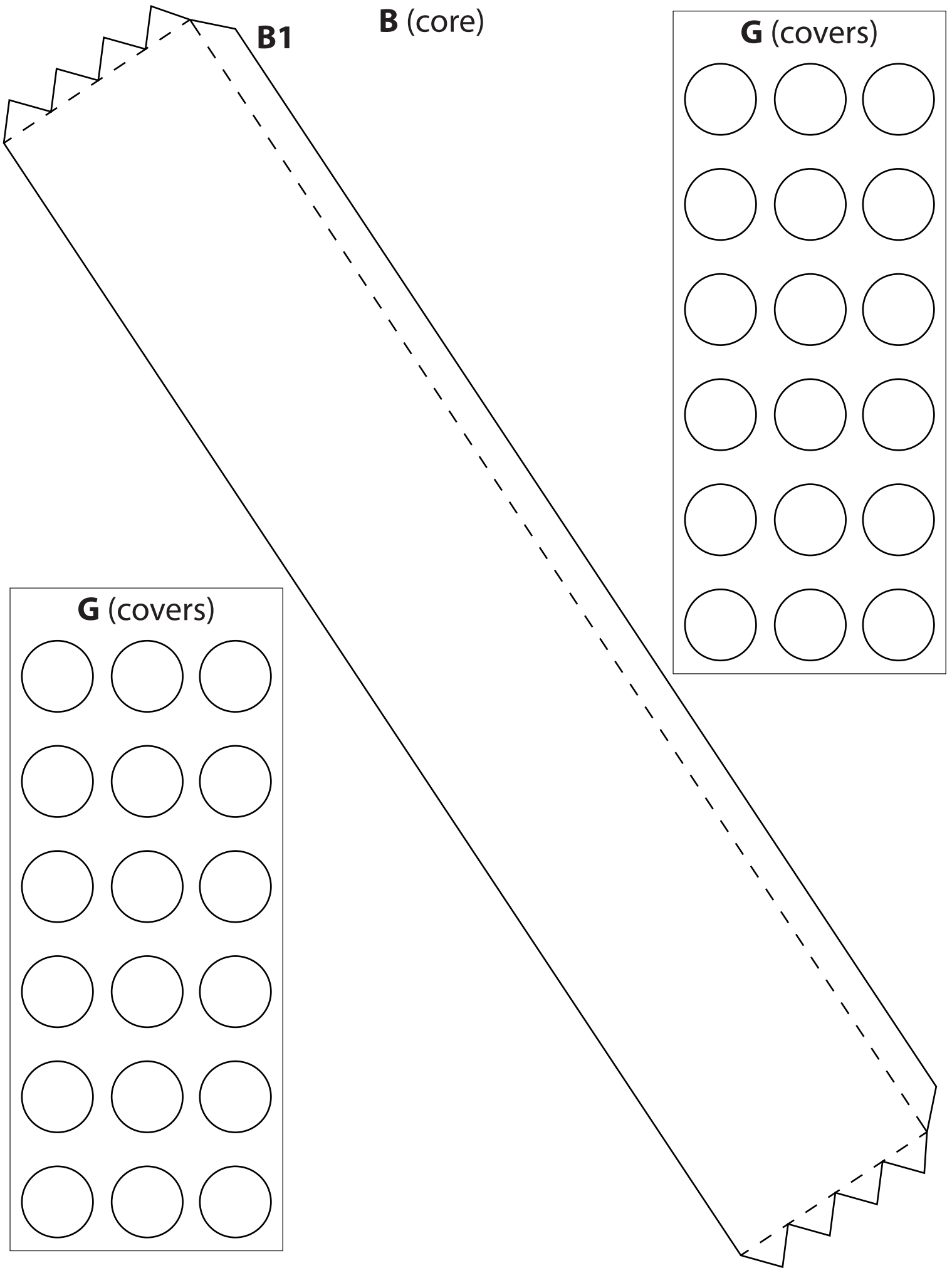
Congratulations, you did it!
To share your artwork with others,
please see the last page.

A (bottom)



A (bottom)





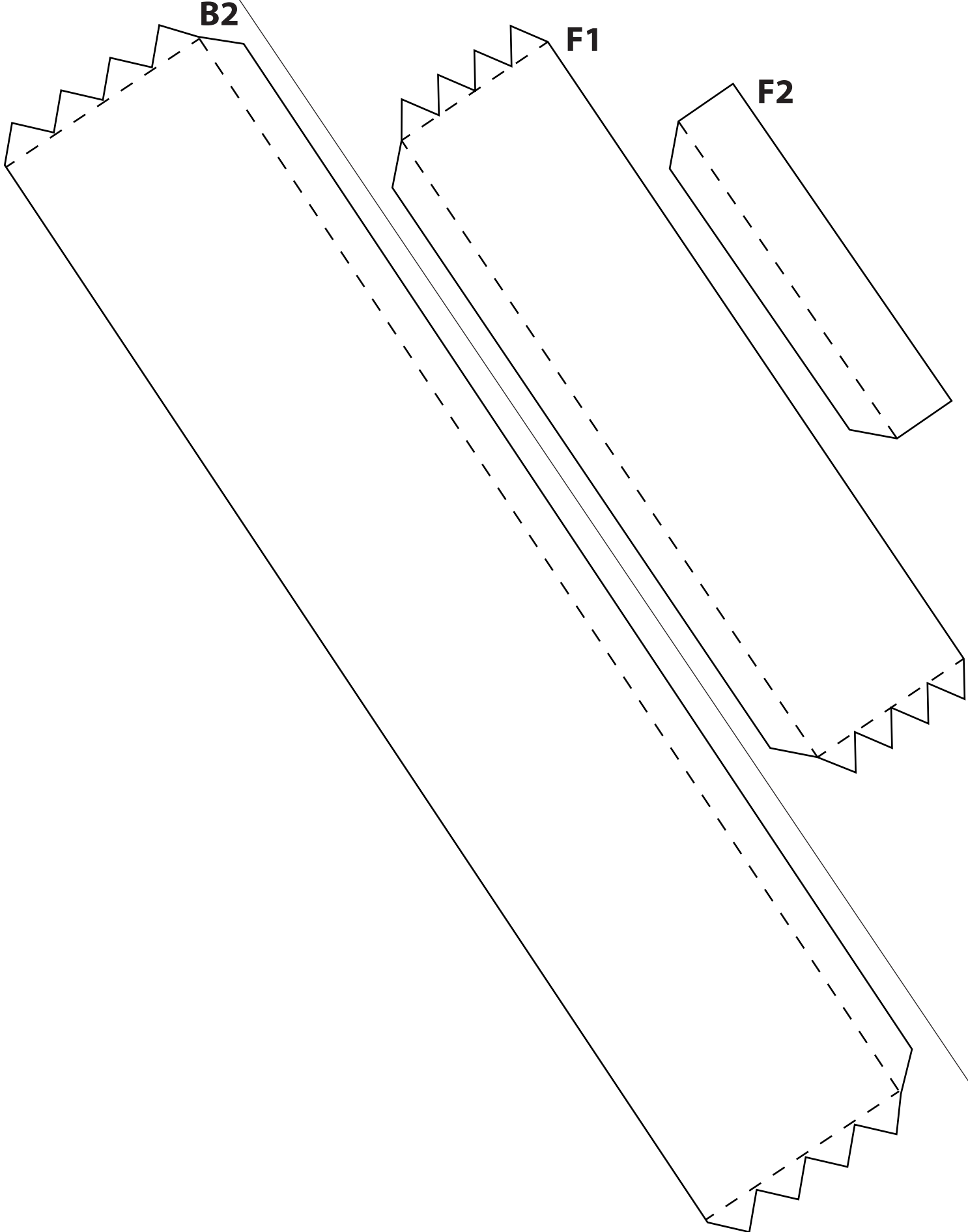
B (core)

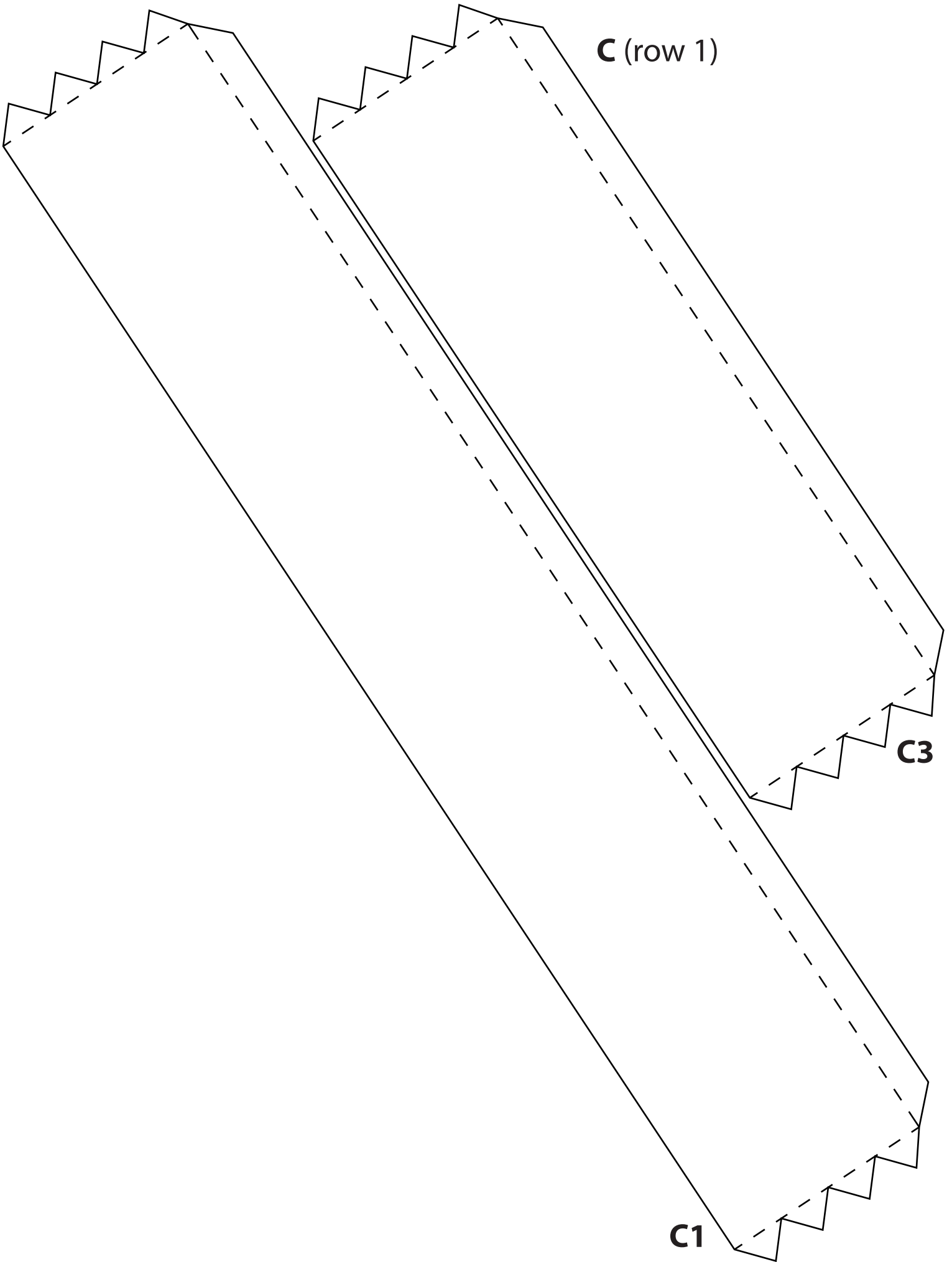
F (antenna)

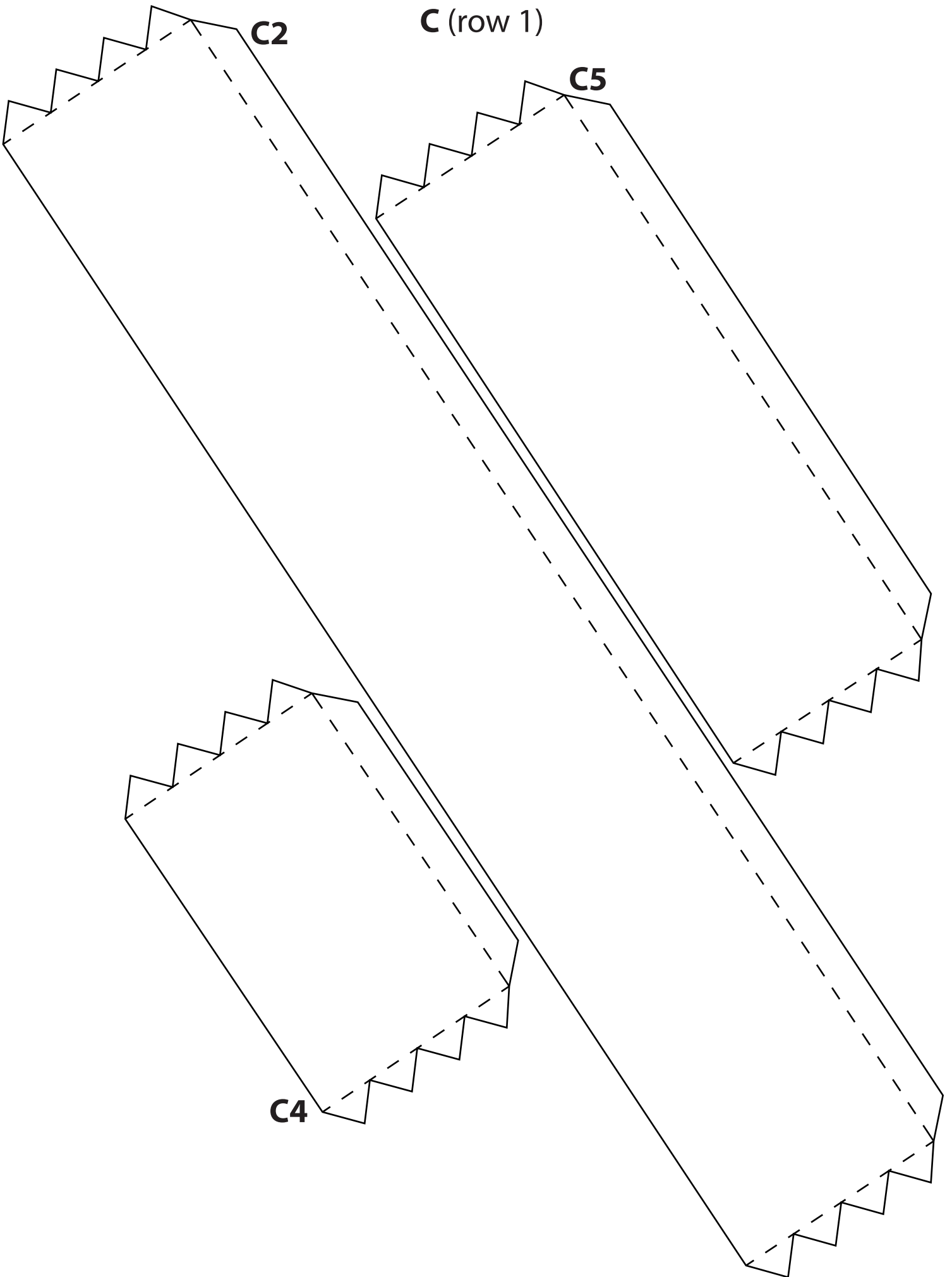
B2

F1

F2



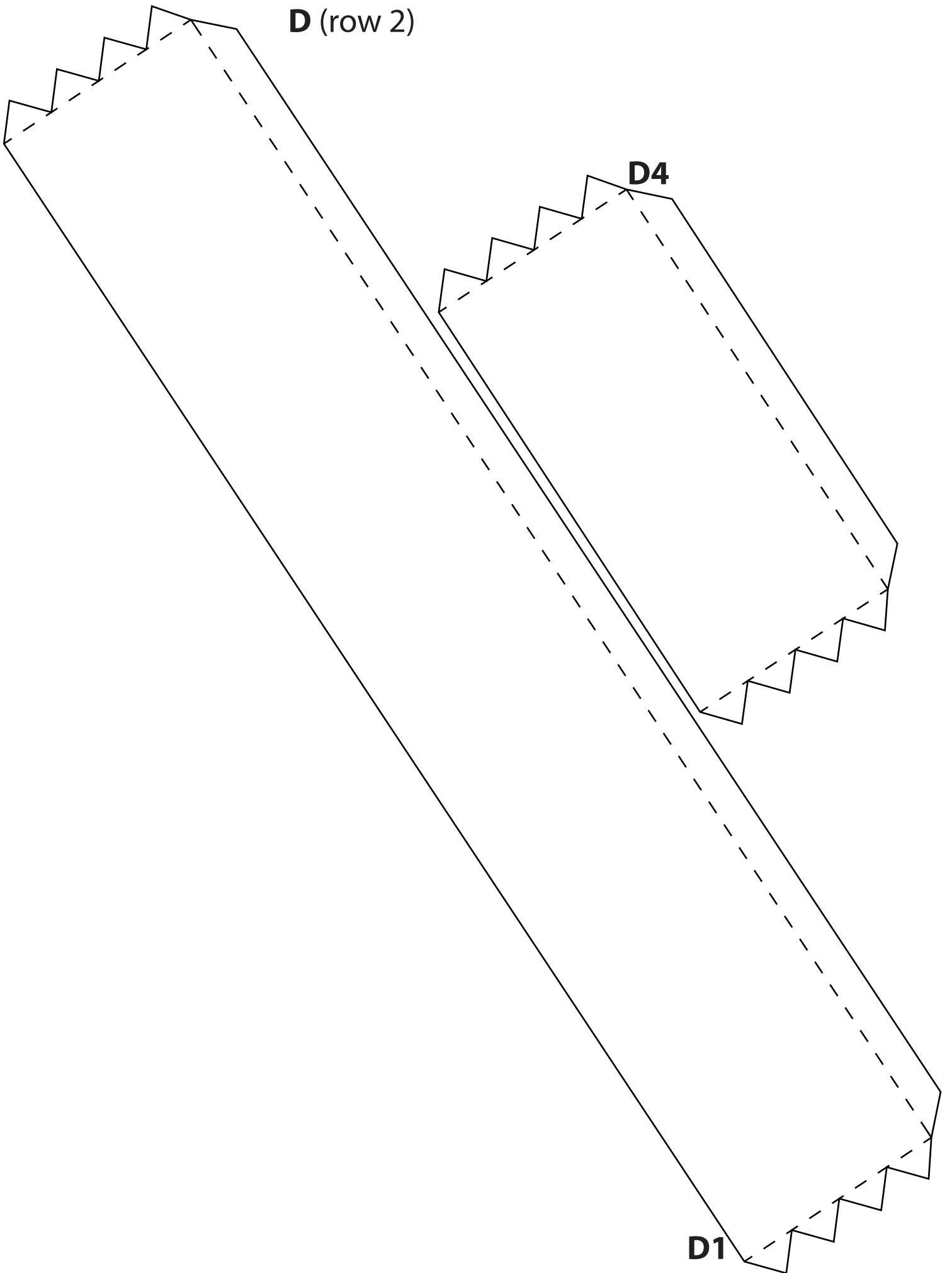




D (row 2)

D4

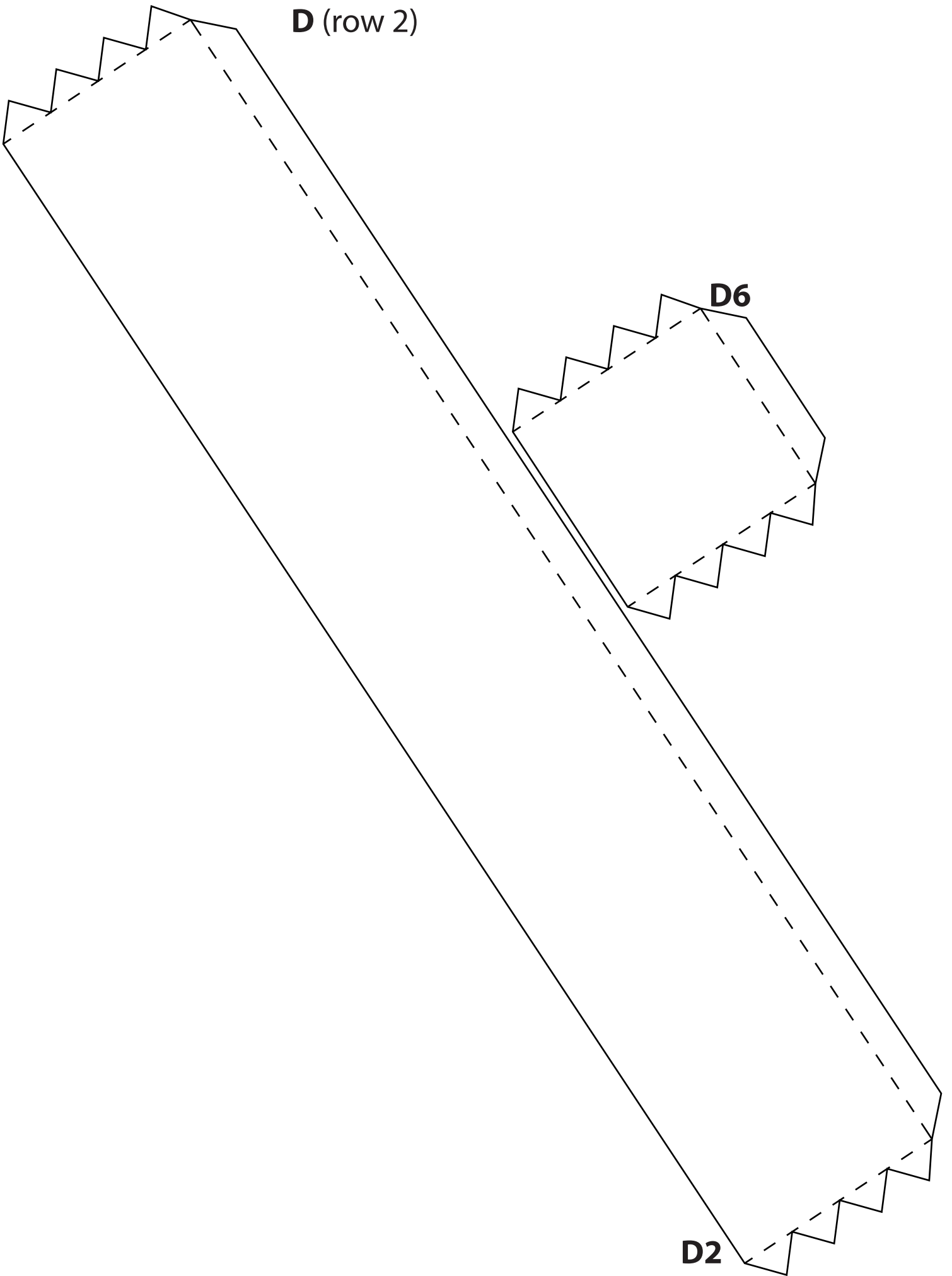
D1



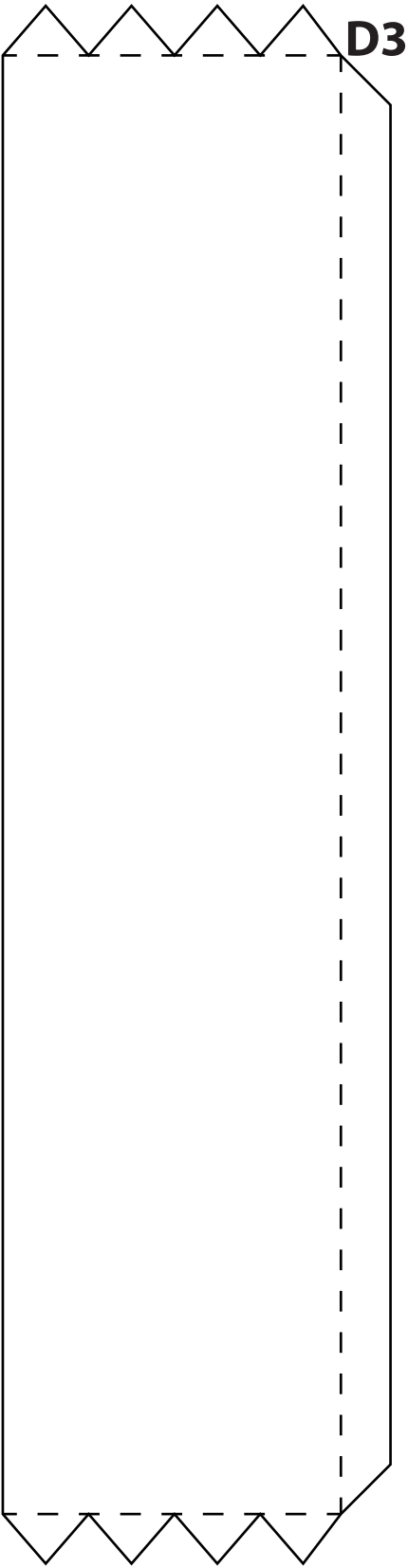
D (row 2)

D6

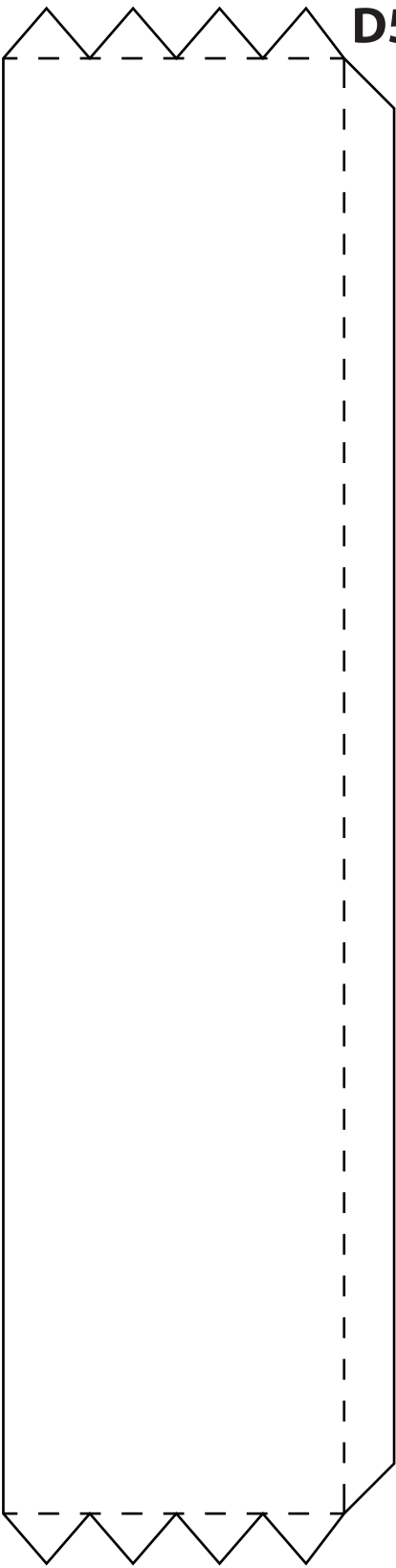
D2



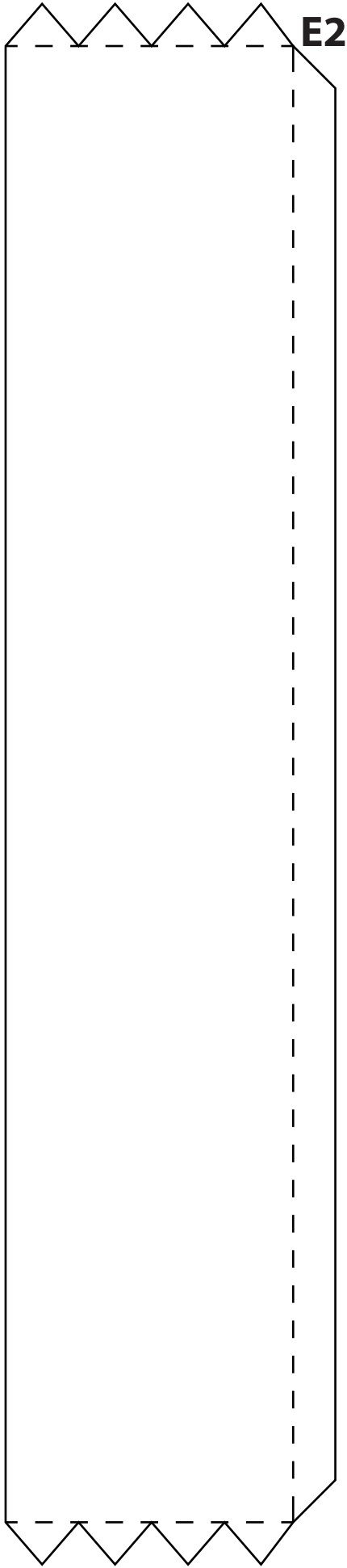
D (row 2)



D5



E (row 3)



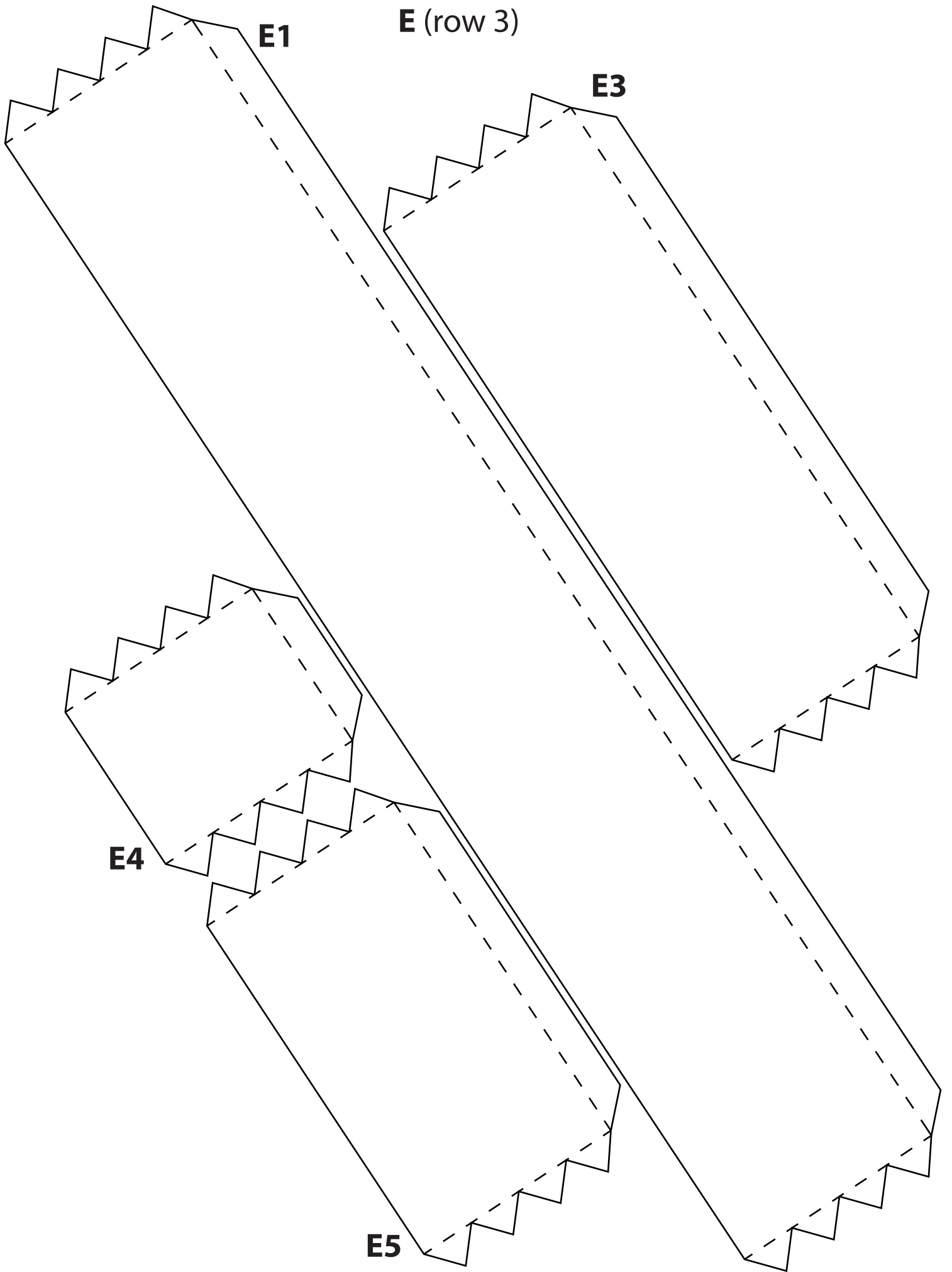
E (row 3)

E1

E3

E4

E5





ARCHITECTURE

with sauce

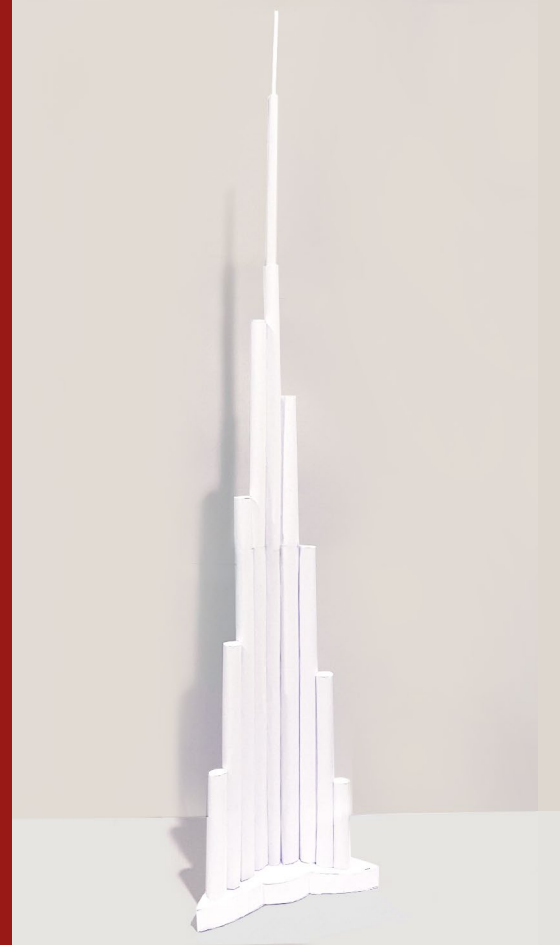


This tinker set has been provided by ARCHITECTURE with sauce, a project dedicated to offer crafting models.

Be sure to upload your building to the official gallery after you decorated it with colors or glitter: www.craftingmodels.com/upload/

You can share your artwork on social media using the tags #craftingmodel #dubai and #burjkhalifa.

Hungry for building more? You can download additional crafting sets directly online at www.craftingmodels.com



Burj Khalifa

CRAFTING MODEL 1:1000

difficulty: hard ★★★★★



Visit the world's largest database of skyscrapers and tall buildings on www.skydb.net. Be sure to also follow @skydb_net on social media.