



# ARCHITECTURE

*with sauce* 

Print out all parts and paint them in your favorite colors, before cutting them out.

Glue the page containing the building body onto a piece of thick paper.

Cut out all parts with scissors.

Use a ruler and a wooden stick to scratch the black dashed lines, this will make them fold easier.

Add all parts to the body step by step. The instructions on the next page will help you to do so. Afterwards, decorate your tower!



## One World Trade Center

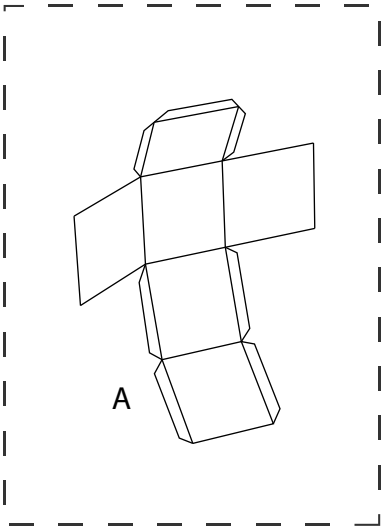
CRAFTING MODEL

JUNIOR VERSION

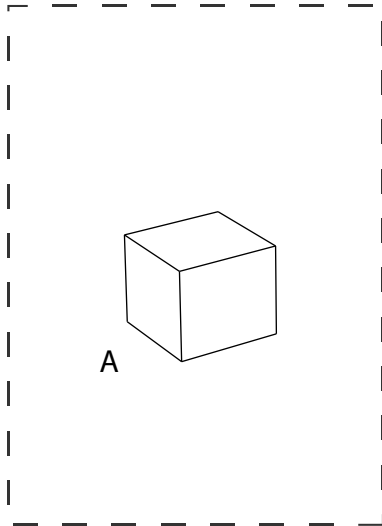
SIMPLIFIED

The creation of this crafting set  
was made possible by:

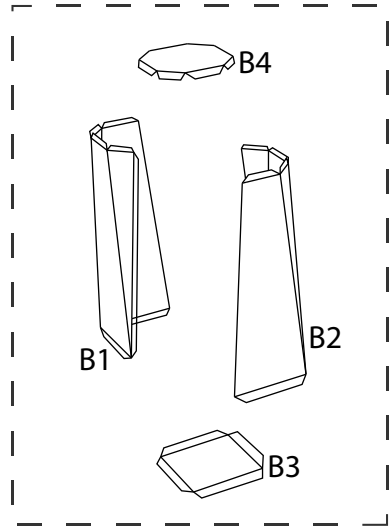




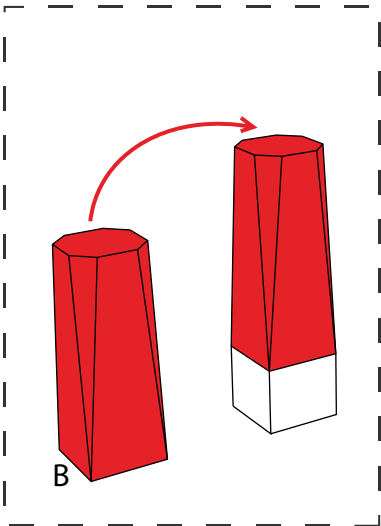
Start with the base of 1 WTC.  
Fold it and assemble it.



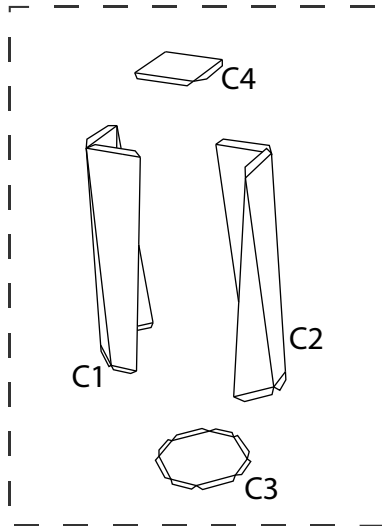
Use the base to add the  
building body on top of it.



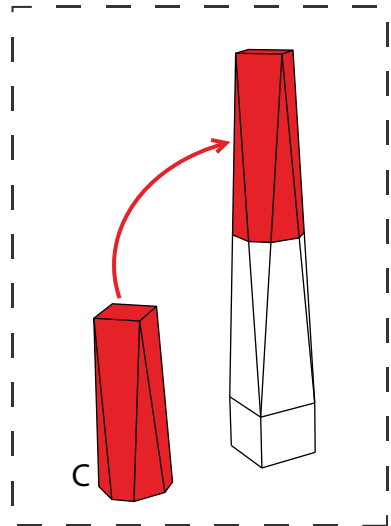
Combine pieces B1 to B4 in  
order to create the lower  
part of the building body.



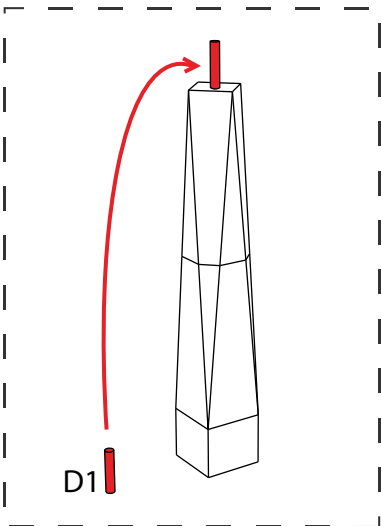
Place the lower part of the  
building body on top of the base.



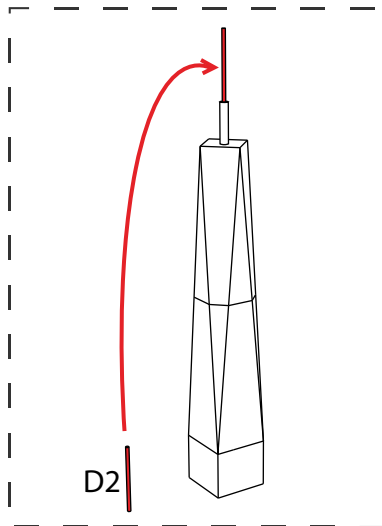
Combine pieces C1 to C4 in  
order to create the upper  
part of the building body.



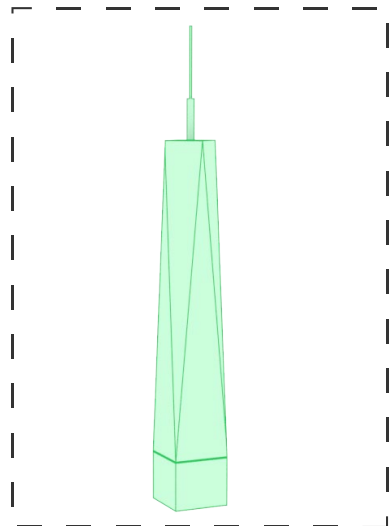
Place the upper part of the  
building body on top of the  
lower building body.



Roll the antenna base  
and attach it to the roof.

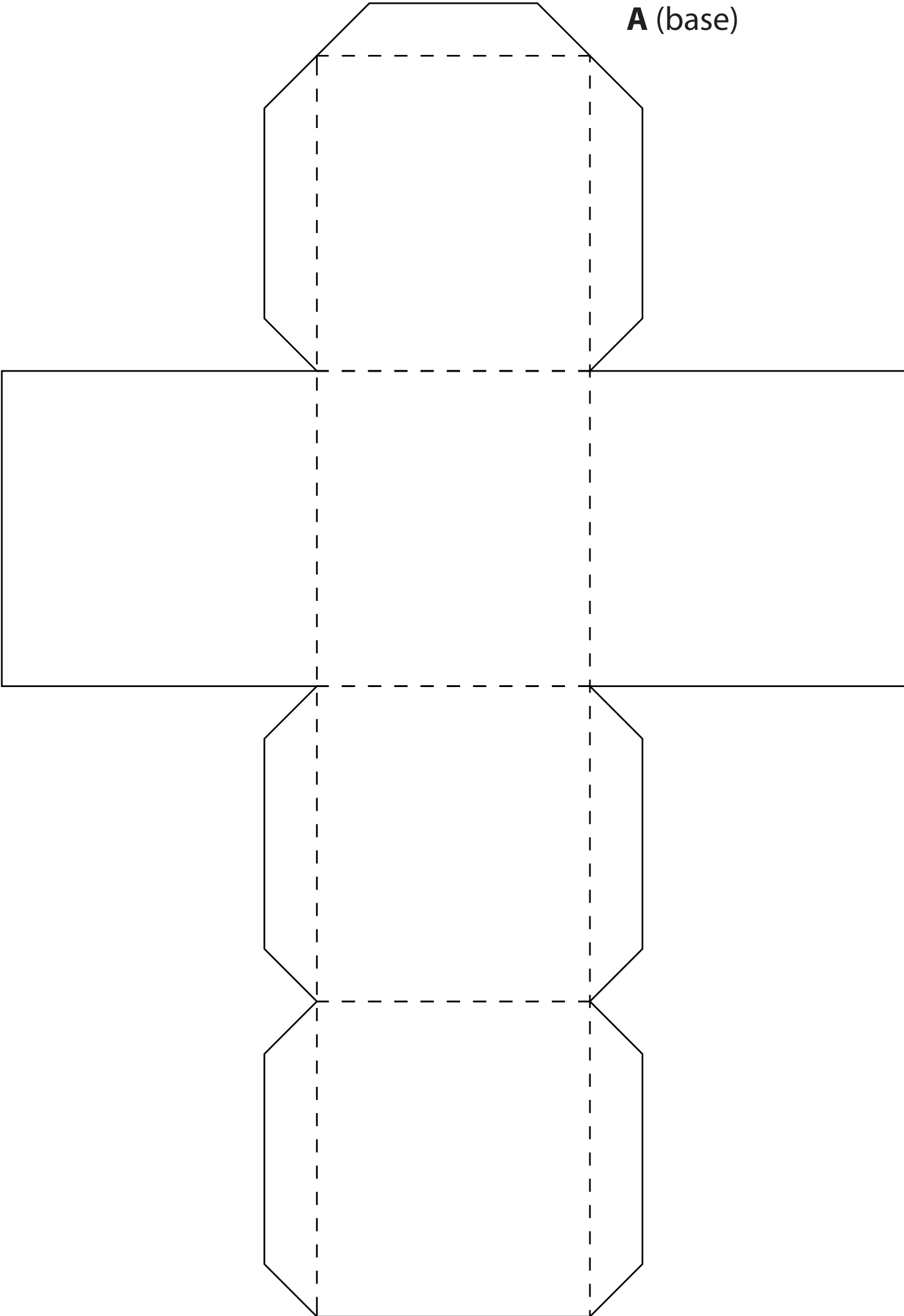


Finally, roll the antenna  
and place it on top of  
the antenna base.

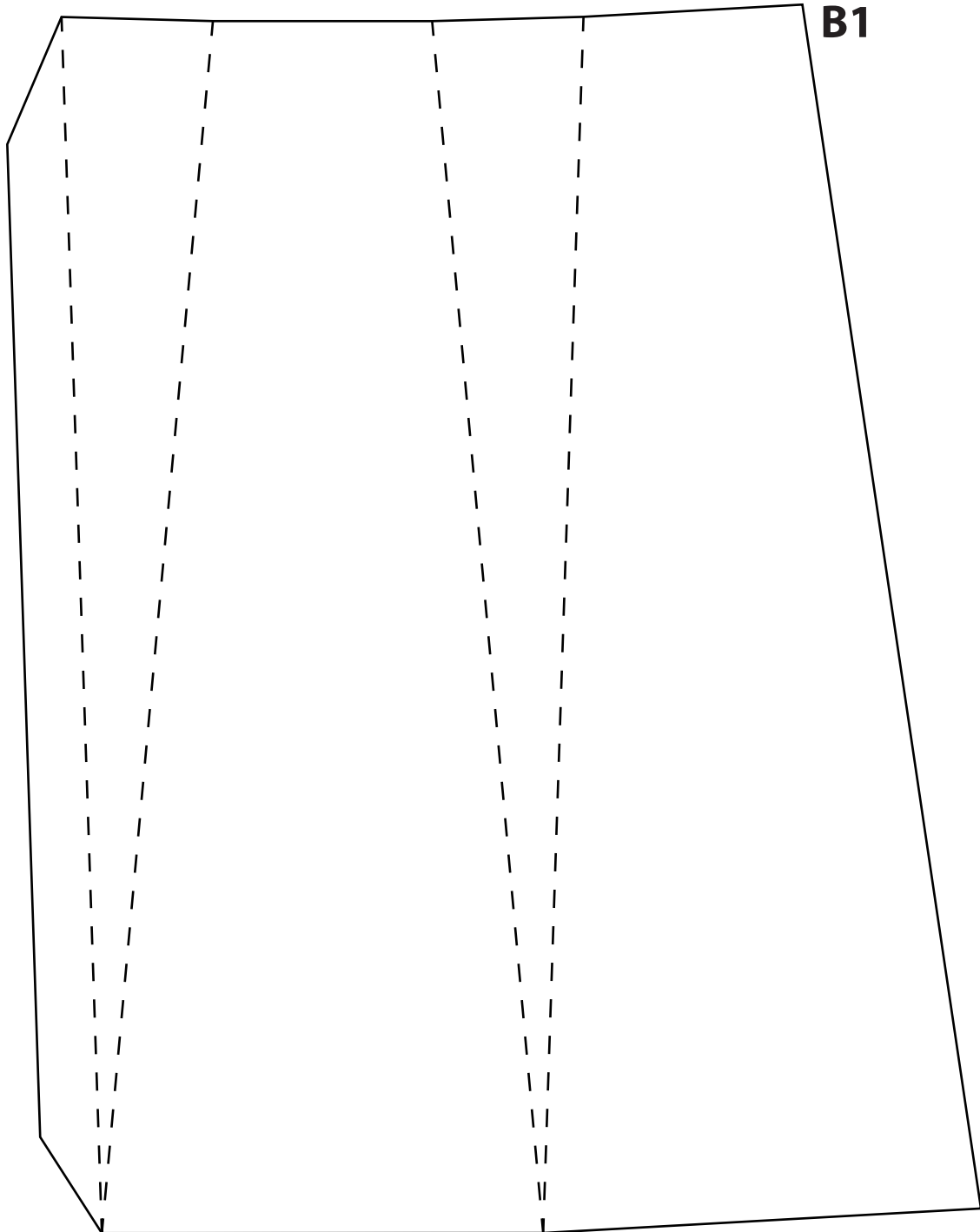


Congratulations, you did it!  
To share your artwork with others,  
please see the last page.

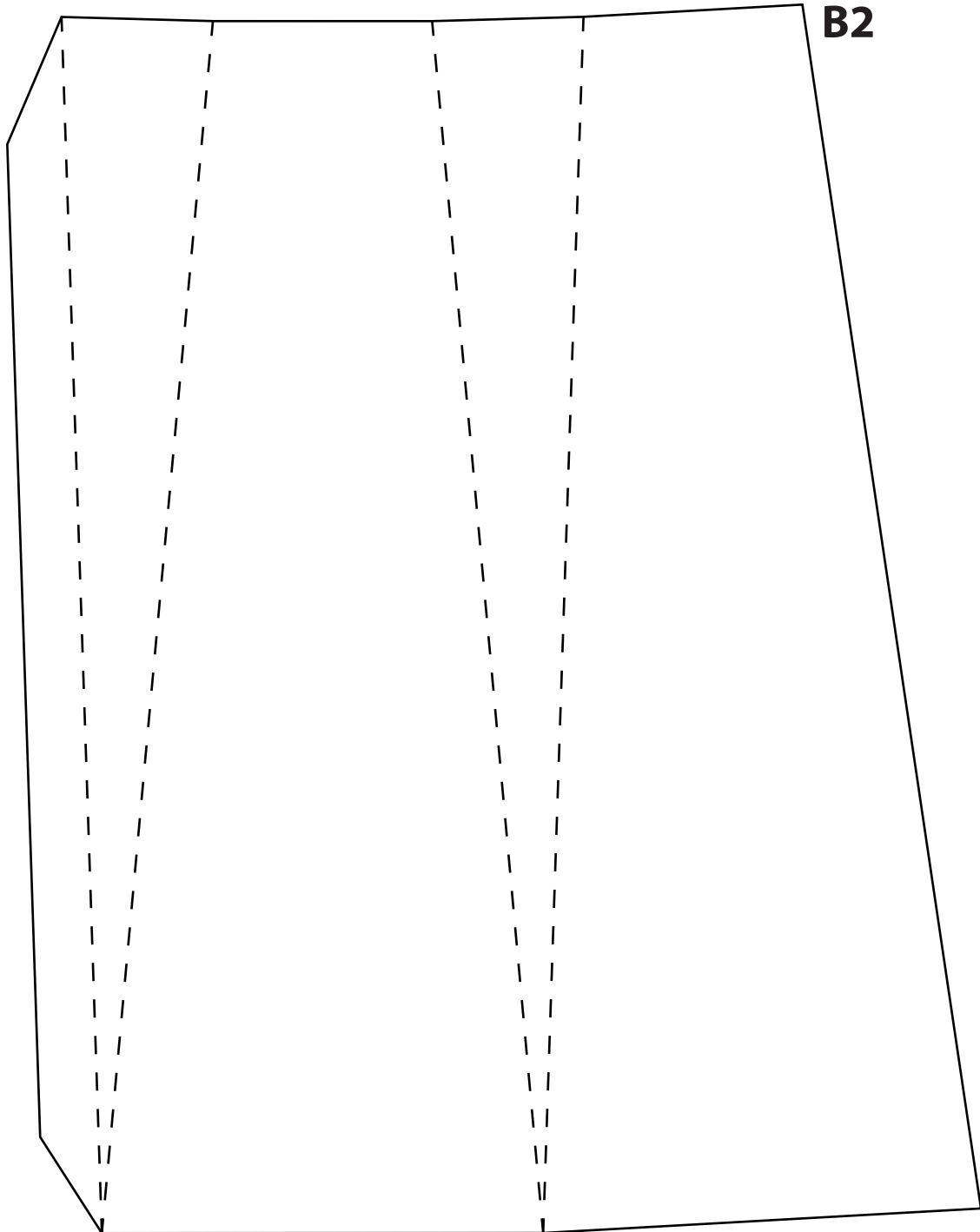
**A** (base)



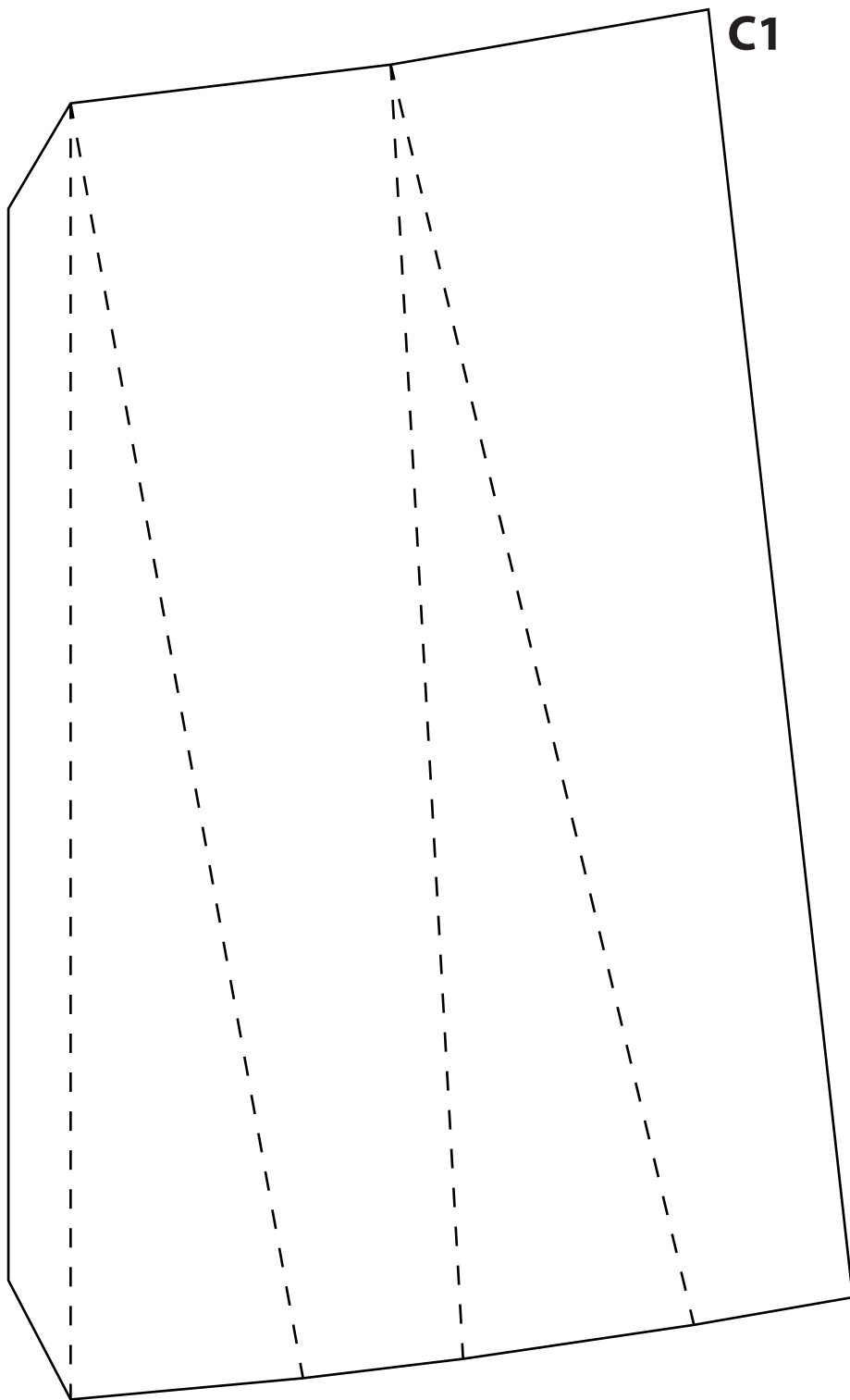
# B (lower building body)



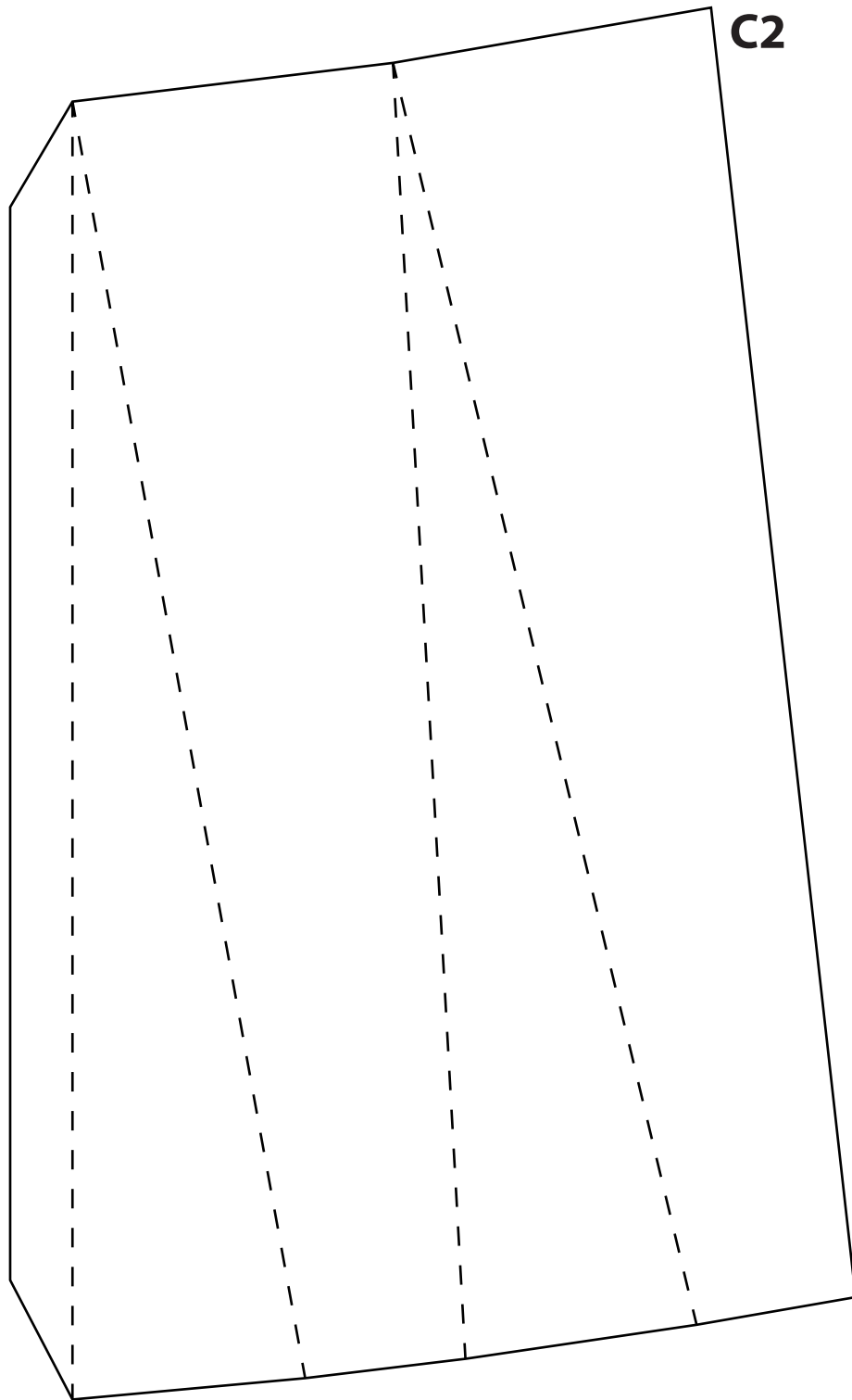
## B (lower building body)



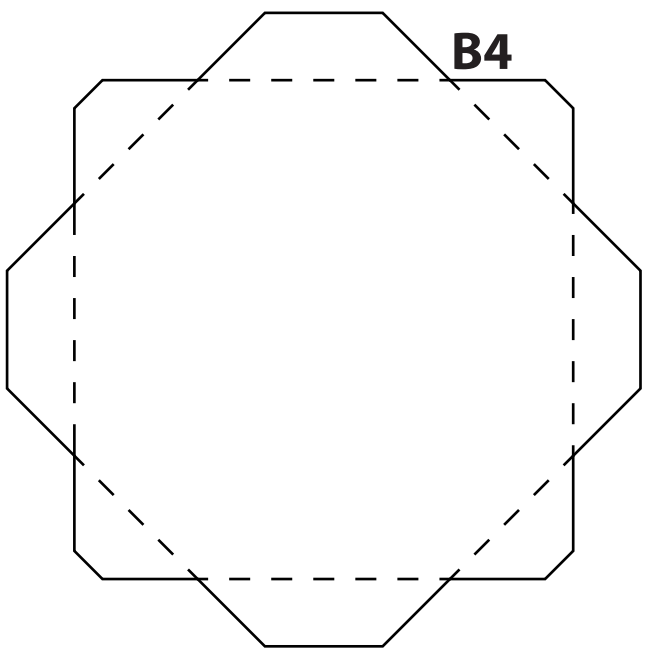
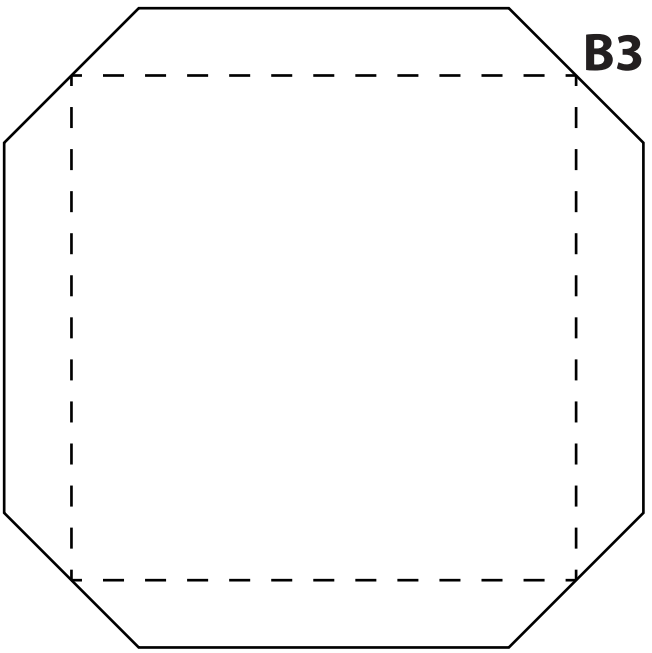
**C** (upper building body)



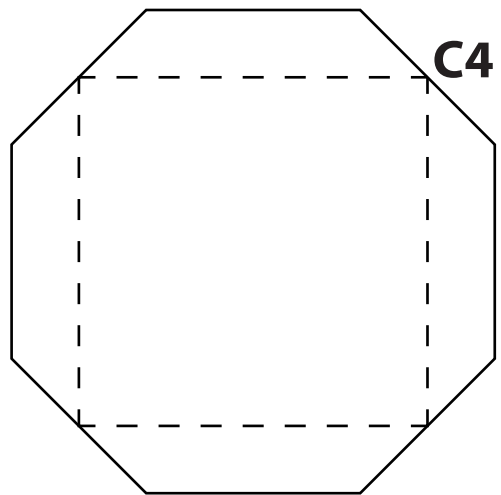
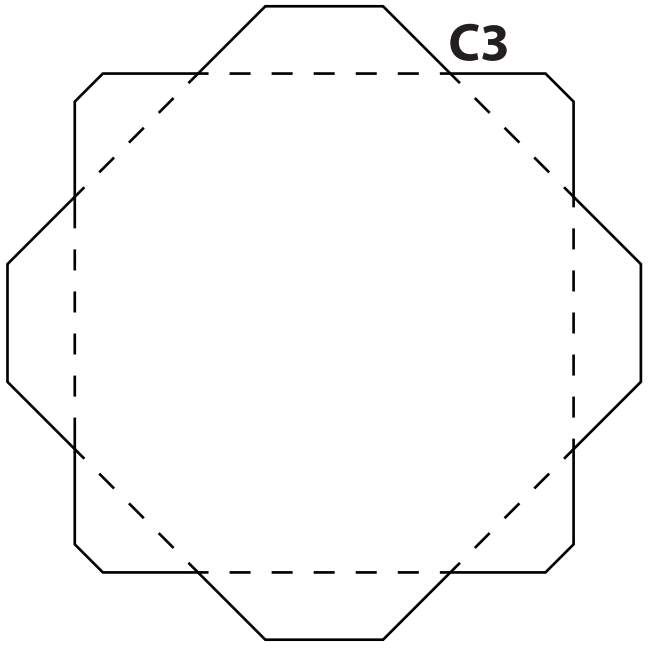
# C (upper building body)



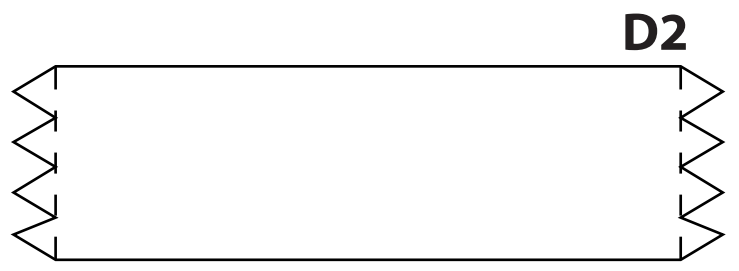
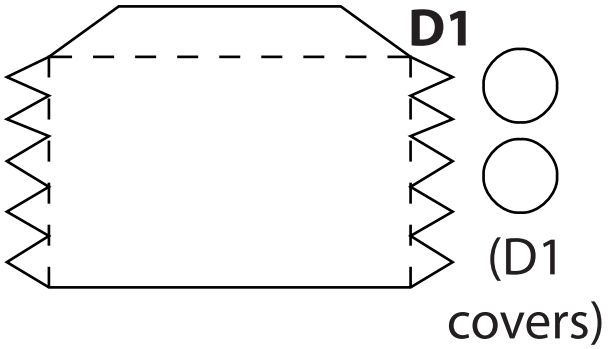
**B (lower building body)**



**C (upper building body)**



**D (antenna)**







**ARCHITECTURE**

*with sauce* 

This tinker set has been provided by ARCHITECTURE with sauce, a project dedicated to offer crafting models.

Be sure to upload your building to the official gallery after you decorated it with colors or glitter: [www.craftingmodels.com/upload/](http://www.craftingmodels.com/upload/)

You can share your artwork on social media using the tags #craftingmodel #newyorkcity #nyc and #wtc.

Hungry for building more? You can download additional crafting sets directly online at [www.craftingmodels.com](http://www.craftingmodels.com)



# One World Trade Center

CRAFTING MODEL 1:1000

difficulty: medium



Visit the world's largest database of skyscrapers and tall buildings on [www.skydb.net](http://www.skydb.net). Be sure to also follow @skydb\_net on social media.